

Date of Installation : _____

Unit Serial Number : _____

Kompac Dealer : _____

Kompac®



A DIVISION OF DAY INTERNATIONAL, INC.



DAY INTERNATIONAL, INC.

Image Transfer Group



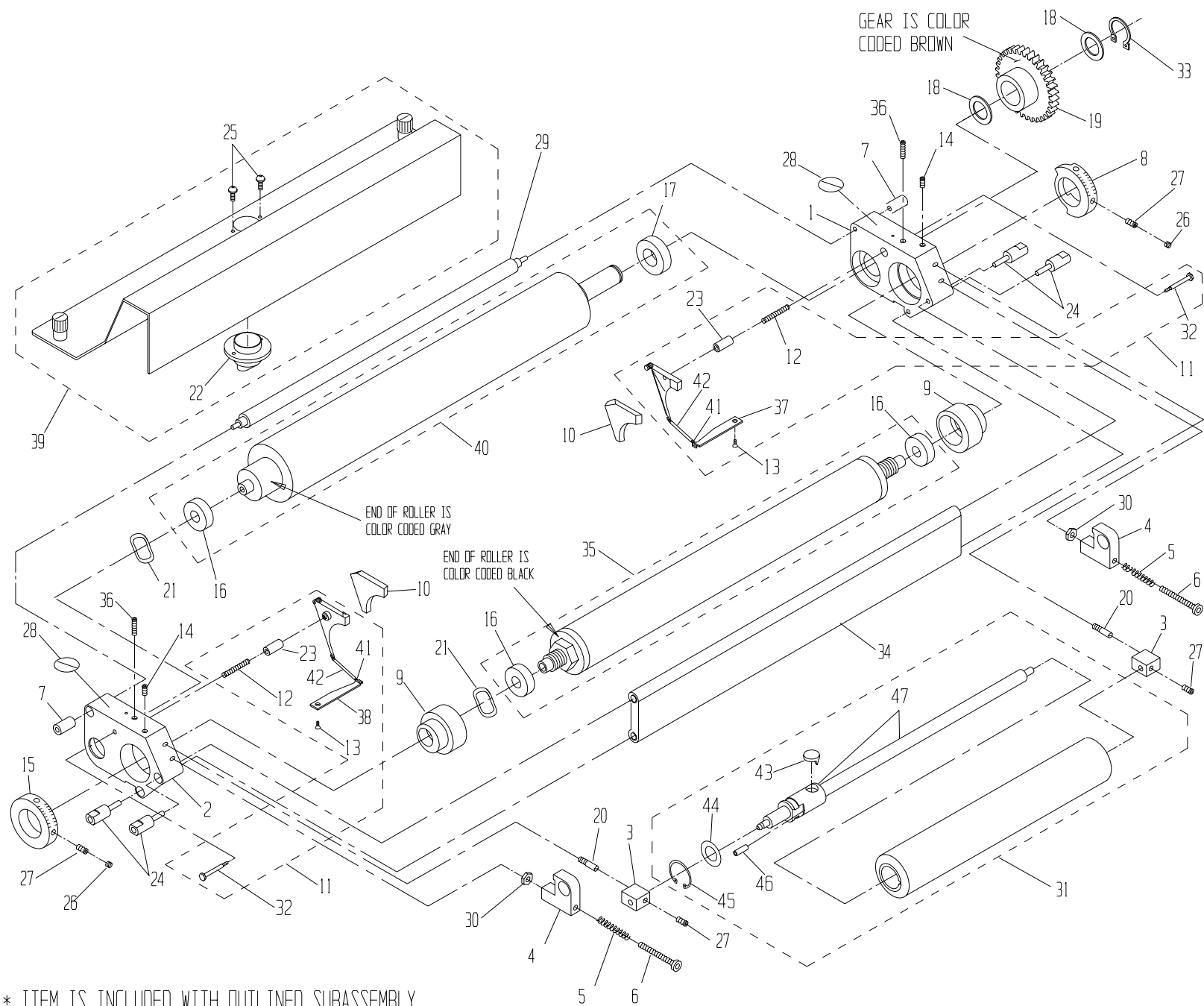
RYB 32 MCD

Parts Catalog # 090592

159 DWIGHT PLACE , FAIRFIELD , NEW JERSEY 07004

TEL: 973-227-8611 / 800-541-5702

FAX: 973-227-7532

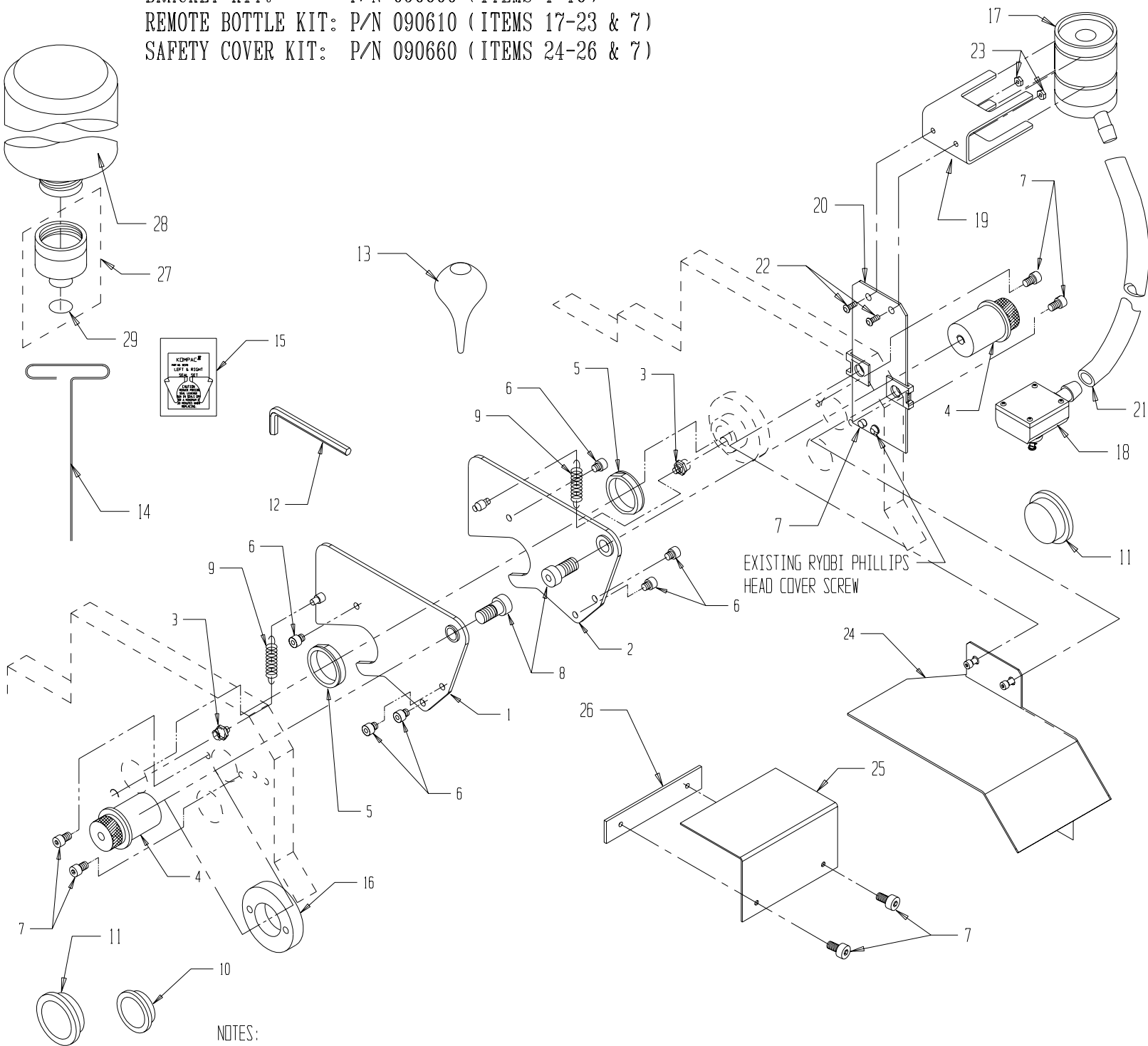


* ITEM IS INCLUDED WITH OUTLINED SUBASSEMBLY.

ITEM#	PART #	DESCRIPTION	QTY	ITEM#	PART #	DESCRIPTION	QTY	ITEM#	PART #	DESCRIPTION	QTY
1	094376	R.H. END FRAME	1	18	091966	STEEL WASHER	2	35	094240	METERING ROLLER ASSY	1
2	094302	L.H. END FRAME	1	19	092880	GEAR CLUTCH ASSY	1	36	091798	#10-24 x 1" SET SCREW	2
3	094326	ALIGNMENT BLOCK	2	20	094343	OSCILLATOR POST	2	37	090701	TAB (GEAR SIDE)	*
4	094342	SPRING HOUSING	2	21	092491	WAVE WASHER	2	38	092234	TAB (OP-SIDE)	*
5	095698	COMPRESSION SPRING	2	22	092604	NOZZLE	*	39	092030	COVER ASSY	1
6	091877	1/4-28 X 1.1/2" SDC HD SCREW	2	23	092304	GUIDE PIN	*	40	091900	FORM ROLLER ASSY	1
7	094345	STAND OFF	2	24	094482	STAND OFF	4	41	092236	TAB SPRING	*
8	092225	METERING GAUGE	1	25	091806	#6-32 X 3/8 PHILLIPS PAN HD	*	42	092259	SPRING COVER	*
9	092291	ECCENTRIC	2	26	091810	#10-24 X 1/8 SLOT SET SCW	2	43	091111	OSC. DRIVE SHAFT FOLLOWER	*
10	092370	SEAL SET (L.H. & R.H. SEALS)	1	27	091811	#10-24 X 1/4" SET SCREW	4	44	091965	OSC. RETAINING WASHER	*
11	090700	SEAL BACKING PLATE KIT	1	28	092601	INWARD NIP SYMBOL	2	45	091997	OSC. RETAINING CLIP	*
12	092238	COMPRESSION SPRING	*	29	094348	13 1/4" TIE BAR	1	46	091949	SPRING PIN	*
13	091802	#3-48 X 1/4 FLAT HD SCREW	*	30	091970	1/4-28 NUT	2	47	091262	SHAFT S.S. ASSY	*
14	091813	#10-24 X 1/2 SET SCREW	2	31	091311	ASSY, 13 1/4" OSC., SHORT S.	1				
15	092222	METERING GAUGE	1	32	092303	SHOULDER SCREW	*				
16	092401	BEARING	*	33	091662	12mm RETAINING RING	1				
17	092586	BEARING	*	34	094481	TIE PLATE, RYB-330	1				

RYB 32 MCD INSTALLATION KIT

BRACKET KIT: P/N 090600 (ITEMS 1-16)
 REMOTE BOTTLE KIT: P/N 090610 (ITEMS 17-23 & 7)
 SAFETY COVER KIT: P/N 090660 (ITEMS 24-26 & 7)



NOTES:

- * ITEM 16 (P/N 090614) ONLY REQUIRED ON SOME OLDER MODELS WITH RECESS IN OPP SIDE FRAME.
- ** ITEMS 25, 26 & (2) 7 (P/N 090605, 090606 & 091891) ONLY REQUIRED ON MODELS EQUIPPED WITH SWING AWAY T-HEAD.
- *** ITEM IS INCLUDED WITH OUTLINED SUBASSEMBLY.

ITEM	PART NO.	DESCRIPTION	QTY.
1	090620	MOUNTING BKT ASS'Y, OPP SIDE	1
2	090630	MOUNTING BKT ASS'Y, NON OPP SIDE	1
3	090601	SPRING RETAINER	2
4	090602	ECCENTRIC, RYB 32MCD	2
5	094394	FLANGE	2
6	091818	#10-24 X 3/8 CAP SCREW	6
7	091891	M5-.8 X 16MM CAP SCREW	7**
8	093804	Ø 3/8 X 1/4LG. SHOULDER SCR	2
9	093669	SPRING	2
10	093743	1" PLUG	1
11	093744	1 1/4" PLUG	2
12	090759	3/16" ALLEN KEY	1

ITEM	PART NO.	DESCRIPTION	QTY.
13	092778	1 OUNCE SYRINGE	1
14	090755	3/32" T-WRENCH	1
15	092370	K II TEFLON SEAL KIT	1
16	090614	SPACER, ECCENTRIC, RYB 32MCD	1*
17	092740	BOTTLE VALVE ASS'Y	1
18	092750	ADAPTER BASE ASS'Y	1
19	092749	UNIVERSAL BOTTLE BRACKET	1
20	090640	UNIVERSAL BKT ASS'Y, RYB 32MCD	1
21	092756	1/2" I.D. PVC TUBING	1
22	091819	#10-24 X 1/2 BUTTON SOCKET SCR	2
23	091968	#10-24 HEX LOCK NUT	2
24	090650	SAFETY COVER ASS'Y, RYB 32MCD	1

ITEM	PART NO.	DESCRIPTION	QTY.
25	090605	SAFETY COVER, T-HEAD, RYB 32MCD	1**
26	090606	NUTPLATE	1**
27	092760	DISPENSING VALVE ASS'Y	1
28	092771	ROUND CALIBRATED BOTTLE	1
29	092765	O-RING	***