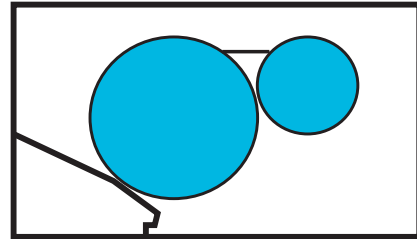


Date of Installation : \_\_\_\_\_

Unit Serial Number : \_\_\_\_\_

Kompac Dealer : \_\_\_\_\_

***VARN***  
**Kompac<sup>®</sup>**



**MODEL : RYB-2728**  
PARTS CATALOG # 90212 REV.B

# RYB 2728 PARTS CATALOG

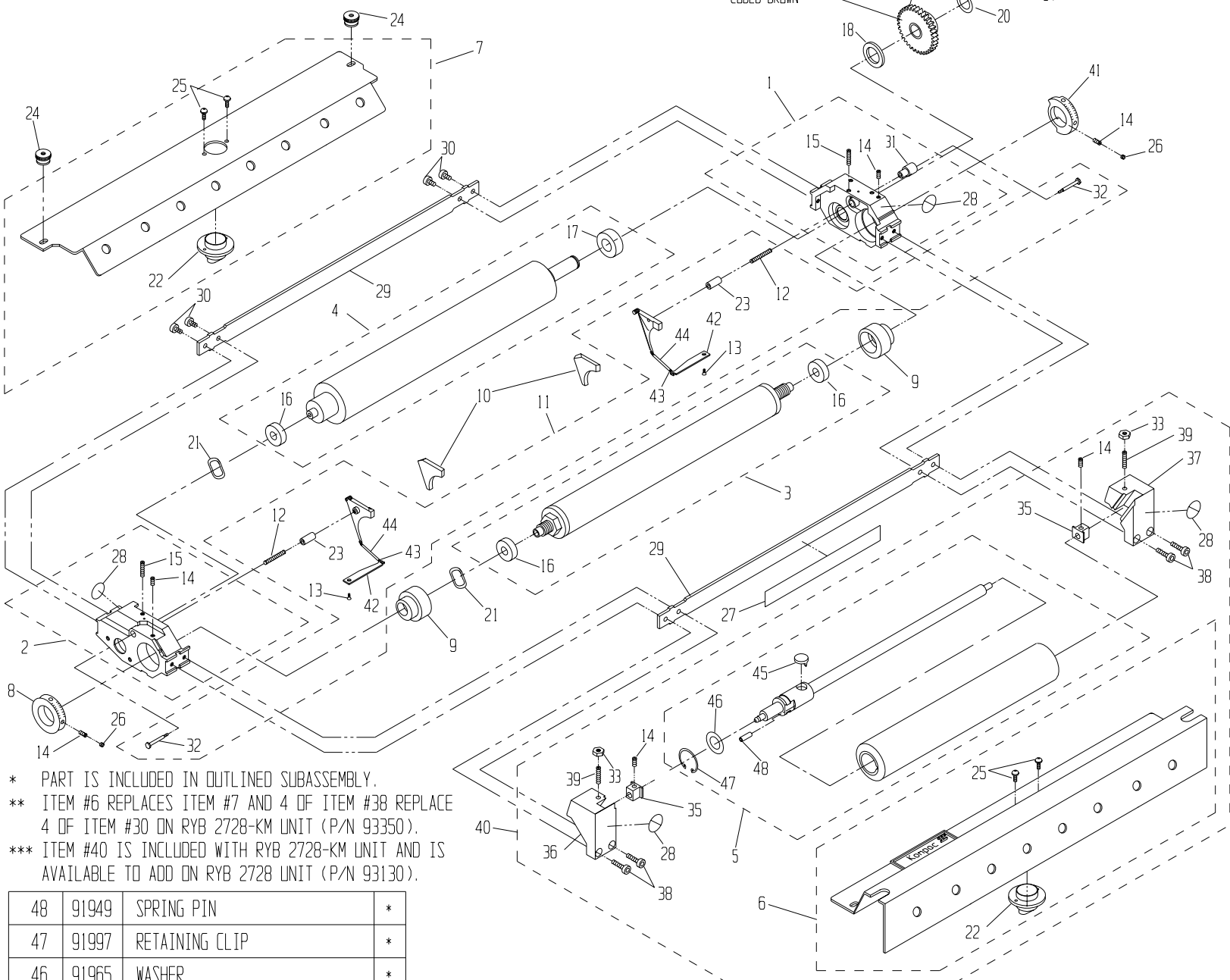
P/N 90212

| REV | DESCRIPTION  | ECN  | BY  | DATE    |
|-----|--|------|-----|---------|
| A   | REMOVED RYB 3200 FROM CATALOG  | 1035 | MJC | 10-7-94 |
| B   | CORRECT COLOR CODE TO BROWN, WAS BROWN & BLACK.<br>ADD BACKING PLATE & OSC PARTS TO BOM (ITEMS 42-48). | 1117 | MJC | 6-29-95 |

RYB 2728 UNIT: P/N 93130

RYB 2728-KM UNIT: P/N 93350

GEAR IS COLOR  
CODED BROWN



\* PART IS INCLUDED IN OUTLINED SUBASSEMBLY.  
 \*\* ITEM #6 REPLACES ITEM #7 AND 4 OF ITEM #38 REPLACE  
 4 OF ITEM #30 ON RYB 2728-KM UNIT (P/N 93350).  
 \*\*\* ITEM #40 IS INCLUDED WITH RYB 2728-KM UNIT AND IS  
 AVAILABLE TO ADD ON RYB 2728 UNIT (P/N 93130).

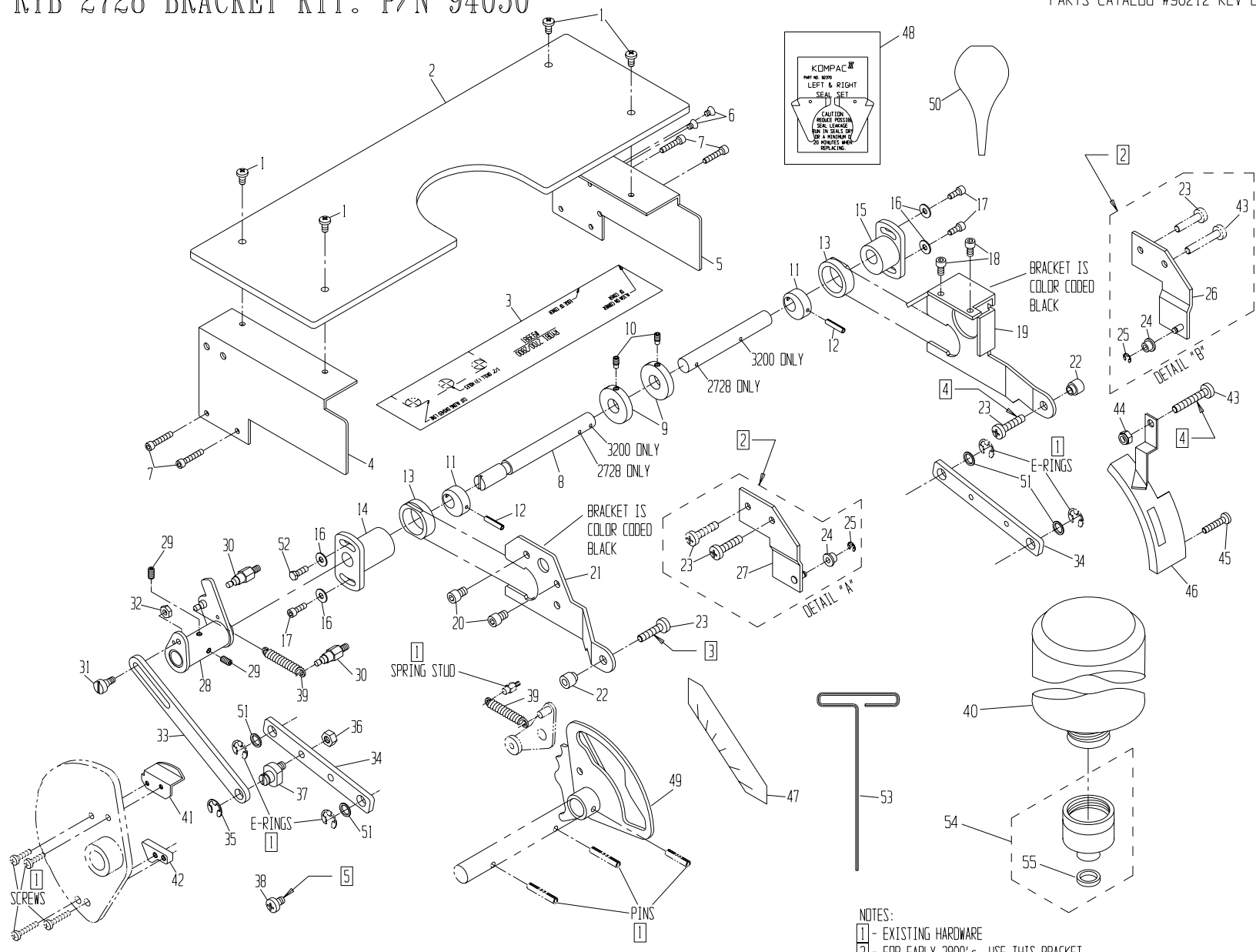
|       |        |                             |     |
|-------|--------|-----------------------------|-----|
| 48    | 91949  | SPRING PIN                  | *   |
| 47    | 91997  | RETAINING CLIP              | *   |
| 46    | 91965  | WASHER                      | *   |
| 45    | 91111  | DRIVE SHAFT FOLLOWER        | *   |
| 44    | 92259  | SPRING COVER                | *   |
| 43    | 92236  | BACKING PLATE TAB SPRING    | *   |
| 42    | 92234  | BACKING PLATE TAB           | *   |
| 41    | 92225  | R.H. METERING GAUGE         | 1   |
| 40    | 96530  | KOLORMATE MODEL 30          | *** |
| 39    | 91851  | #10-32 X 1" SET SCREW       | 2   |
| 38    | 91829  | #10-24 X 11/16 SOC HD SCREW | 4** |
| 37    | 91017  | R.H. OSC. END BLOCK         | 1   |
| 36    | 91018  | L.H. OSC. END BLOCK         | 1   |
| 35    | 91219  | ALIGNMENT BLOCK             | 2   |
| 34    | 91662  | RETAINING RING (12 MM)      | 1   |
| 33    | 91982  | #10-32 NUT                  | 2   |
| 32    | 92303  | SHOULDER SCREW              | *   |
| 31    | 92208  | PLUG                        | *   |
| ITEM# | PART # | DESCRIPTION                 | QTY |

|       |        |                             |     |
|-------|--------|-----------------------------|-----|
| 30    | 91818  | #10-24 X 3/8 SOC HD SCREW   | 8** |
| 29    | 92498  | 11 1/2" TIE BAR             | 2   |
| 28    | 92601  | INWARD NIP SYMBOL           | 2*  |
| 27    | 92494  | WARNING STICKER             | 1   |
| 26    | 91810  | #10-24 X 1/8 SLOT SET SCW   | 2   |
| 25    | 91806  | #6-32 X 3/8 PHILLIPS HD SCW | *   |
| 24    | 92691  | COVER NUT                   | 2   |
| 23    | 92304  | GUIDE PIN                   | *   |
| 22    | 92604  | NOZZLE                      | *   |
| 21    | 92491  | WAVE WASHER                 | 2   |
| 20    | 91966  | WASHER                      | 1   |
| 19    | 92870  | GEAR CLUTCH ASSY, RYB 2728  | 1   |
| 18    | 93943  | OUTSIDE THRUST WASHER       | 1   |
| 17    | 92586  | BEARING                     | *   |
| 16    | 92401  | BEARING                     | *   |
| ITEM# | PART # | DESCRIPTION                 | QTY |

|       |        |                              |     |
|-------|--------|------------------------------|-----|
| 15    | 91814  | #10-24 X 3/4 STUD            | *   |
| 14    | 91811  | #10-24 X 1/4 SET SCREW       | 4*  |
| 13    | 91802  | #3-48 X 1/4 FLAT HD SCREW    | *   |
| 12    | 92238  | COMPRESSION SPRING           | *   |
| 11    | 92380  | BACKING PLATE KIT (L & R)    | 1   |
| 10    | 92370  | SEAL SET (L & R)             | 1   |
| 9     | 92291  | ECCENTRIC                    | 2   |
| 8     | 92222  | METERING GAUGE               | 1   |
| 7     | 92640  | 11 1/2" COVER ASS'Y          | **  |
| 6     | 91330  | 11 1/2" COVER ASSY (OSC)     | **  |
| 5     | 91303  | 11 1/2" OSC. ROLL PARTS ASSY | 1   |
| 4     | 92530  | 11 1/2" FORM ROLLER W/B      | 1   |
| 3     | 92520  | 11 1/2" METERING ROLL W/B    | 1   |
| 2     | 92210  | L.H. END FRAME ASSY          | 1   |
| 1     | 92330  | R.H. END FRAME ASSY          | 1   |
| ITEM# | PART # | DESCRIPTION                  | QTY |

# RYB 2728 BRACKET KIT: P/N 94050

PARTS CATALOG #90212 REV E



- NOTES:
- 1 - EXISTING HARDWARE
  - 2 - FOR EARLY 2800's, USE THIS BRACKET (WHEN PIVOT HOLE IS NOT IN FRAME)
  - 3 - FOR EARLY 2800's, USE THIS SCREW AS SHOWN IN DETAIL "A"
  - 4 - FOR EARLY 2800's, USE THIS SCREW AS SHOWN IN DETAIL "B"
  - 5 - THIS SCREW REPLACES LONGER EXISTING SCREW ON OPERATOR SIDE INNER PANEL

| ITEM | PART NO. | DESCRIPTION                    | QTY. |
|------|----------|--------------------------------|------|
| 55.  | 92765    | O-RING                         | 1    |
| 54.  | 92760    | DISPENSING VALVE ASSY          | 1    |
| 53.  | 90755    | 3/32 HEX T-WRENCH              | 1    |
| 52.  | 91832    | 10-32 x 1/2 HEX HEAD SCREW     | 1    |
| 51.  | 91956    | .4 ID SPACER WASHER            | 4    |
| 50.  | 92778    | KOMPAC SYRINGE                 | 1    |
| 49.  | 93950    | SINGLE LEVER CAM               | 1    |
| 48.  | 92370    | TEFLON SEAL SET                | 1    |
| 47.  | 93986    | OPERATION LABEL                | 1    |
| 46.  | 93982    | GEAR GUARD ASSEMBLY            | 1    |
| 45.  | 91883    | M5x.8x25mm PHIL ROUND HD SCREW | 1    |
| 44.  | 91973    | M6X1 LOCK NUT                  | 1    |
| 43.  | 91882    | M6x1x35mm PHIL ROUND HD SCREW  | 1    |
| 42.  | 93956    | RYOBI CYLINDER LATCH           | 1    |
| 41.  | 93957    | RYOBI MICRO SWITCH CAM         | 1    |

| ITEM | PART NO. | DESCRIPTION                   | QTY. |
|------|----------|-------------------------------|------|
| 40.  | 92771    | CALIBRATED BOTTLE             | 1    |
| 39.  | 93669    | EXTENSION SPRING              | 2    |
| 38.  | 91886    | M6x10mm PHIL ROUND HD SCREW   | 1    |
| 37.  | 94066    | RYOBI LINK BRACKET ECCENTRIC  | 1    |
| 36.  | 91971    | 1/4-28 LOCK NUT               | 1    |
| 35.  | 91995    | 3/8 E-RING                    | 1    |
| 34.  | 93941    | RYOBI FORM LINK               | 2    |
| 33.  | 94057    | ACTUATING LINK                | 1    |
| 32.  | 91969    | 10-32 LOCK NUT                | 1    |
| 31.  | 91794    | 1/4x1/4 SHOULDER SCREW        | 1    |
| 30.  | 94053    | STOP PIN                      | 2    |
| 29.  | 91852    | 10-32x3/8 SET SCREW           | 2    |
| 28.  | 94060    | STOP ASSEMBLY                 | 1    |
| 27.  | 93979    | L.H. PIVOT PLATE              | 1    |
| 26.  | 93978    | R.H. PIVOT PLATE              | 1    |
| 25.  | 91992    | 3/16 E-RING                   | 2    |
| 24.  | 93754    | FLANGED BUSHING               | 2    |
| 23.  | 91881    | M6x1x25mm PHIL ROUND HD SCREW | 3    |
| 22.  | 93980    | BRACKET BUSHING               | 2    |
| 21.  | 94051    | RYB 2728 LH MOUNTING BRACKET  | 1    |

| ITEM | PART NO. | DESCRIPTION                   | QTY. |
|------|----------|-------------------------------|------|
| 20.  | 91875    | 1/4-20x3/8 CAP SCREW          | 2    |
| 19.  | 94052    | RYB 2728 RH MOUNTING BRACKET  | 1    |
| 18.  | 91818    | 10-24x3/8 CAP SCREW           | 2    |
| 17.  | 91842    | 10-32x1/2 CAP SCREW           | 3    |
| 16.  | 91955    | 3/16 ID WASHER                | 4    |
| 15.  | 94058    | ECCENTRIC BUSHING NON-DP SIDE | 1    |
| 14.  | 94059    | ECCENTRIC BUSHING DP SIDE     | 1    |
| 13.  | 94054    | RYOBI BRACKET BUSHING         | 2    |
| 12.  | 94067    | 5/32x7/8 ROLL PIN             | 2    |
| 11.  | 94056    | ECCENTRIC COLLAR              | 2    |
| 10.  | 91871    | 10-32x3/8 BRASS TIP SET SCREW | 2    |
| 9.   | 94055    | LOCKING COLLAR                | 2    |
| 8.   | 94064    | 2728/3200 OPERATION SHAFT     | 1    |
| 7.   | 91846    | 10-32x7/8 CAP SCREW           | 4    |
| 6.   | 91837    | 8-32x1/4 FLAT HEAD SCREW      | 2    |
| 5.   | 93974    | R.H. SAFETY COVER BRACKET     | 1    |
| 4.   | 93975    | L.H. SAFETY COVER BRACKET     | 1    |
| 3.   | 93981    | COVER TEMPLATE                | 1    |
| 2.   | 93949    | RYOBI SAFETY COVER            | 1    |
| 1.   | 91840    | 10-32x3/8 BUTTON HEAD SCREW   | 4    |

| ITEM | PART NO. | DESCRIPTION | QTY. | ITEM | PART NO. | DESCRIPTION | QTY. | ITEM | PART NO. | DESCRIPTION | QTY. |
|------|----------|-------------|------|------|----------|-------------|------|------|----------|-------------|------|
|------|----------|-------------|------|------|----------|-------------|------|------|----------|-------------|------|