

**Kompac<sup>®</sup>**



Date of Installation: \_\_\_\_\_

Unit Serial Number: \_\_\_\_\_

## RYP334 (Bottle)

### Parts Catalog #92877

#### AB Dick Press Models:

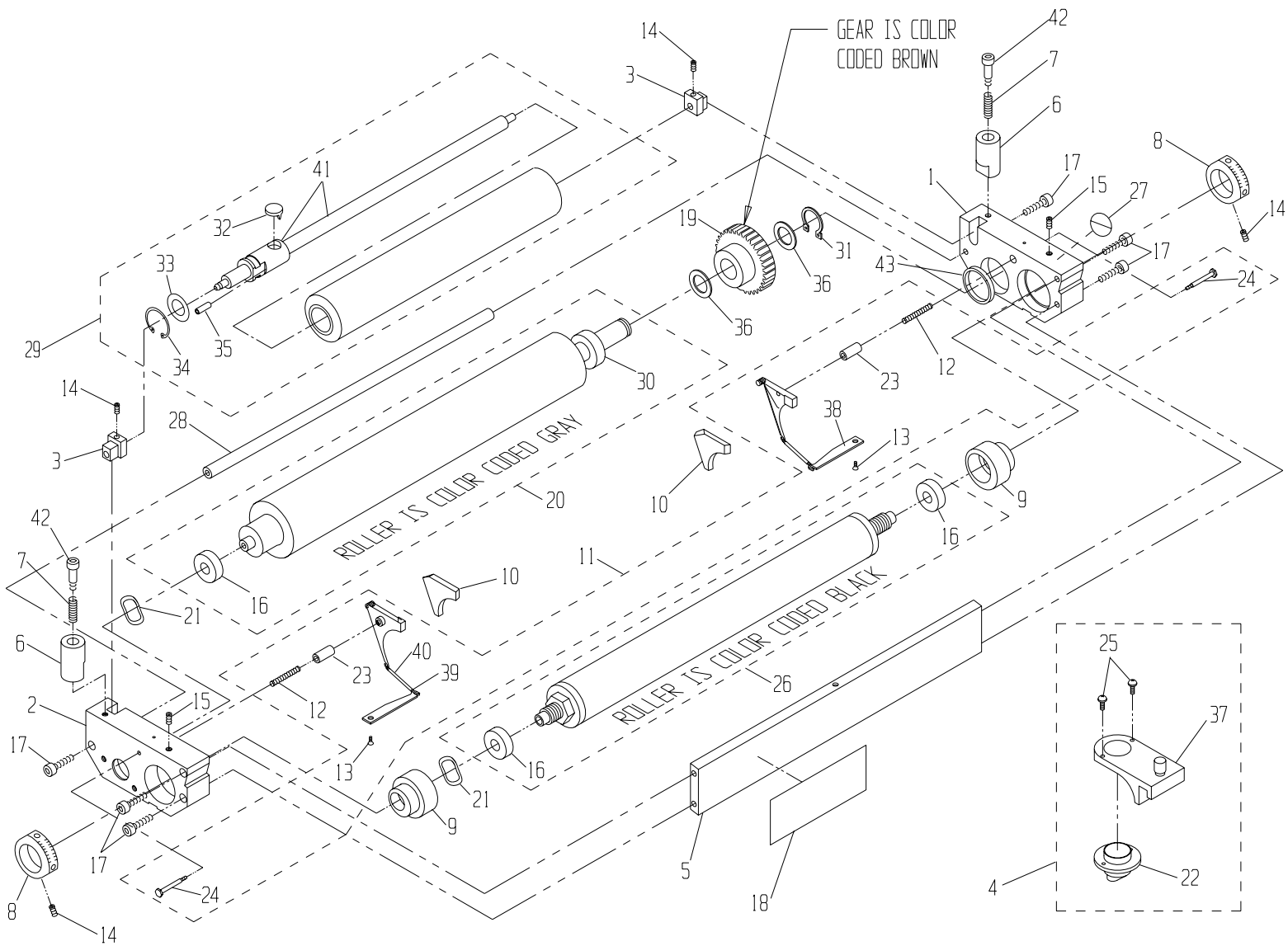
4995, 4995A  
9995, 9995A (Single Unit Kit)

#### Ryobi Press Models:

3302H, 3302HA  
3304H, 3304HA (Single Unit Kit)

Kompac Technologies, LLC  
7 Commerce Street  
Somerville, NJ 08876  
P: (800) 541-5702 (Toll Free U.S. & Canada)  
P: (908) 534-8411  
F: (908) 534-8412  
info@kompactech.com  
www.kompactech.com

Last updated April 2011



\* PART IS INCLUDED IN OUTLINED SUBASSEMBLY.

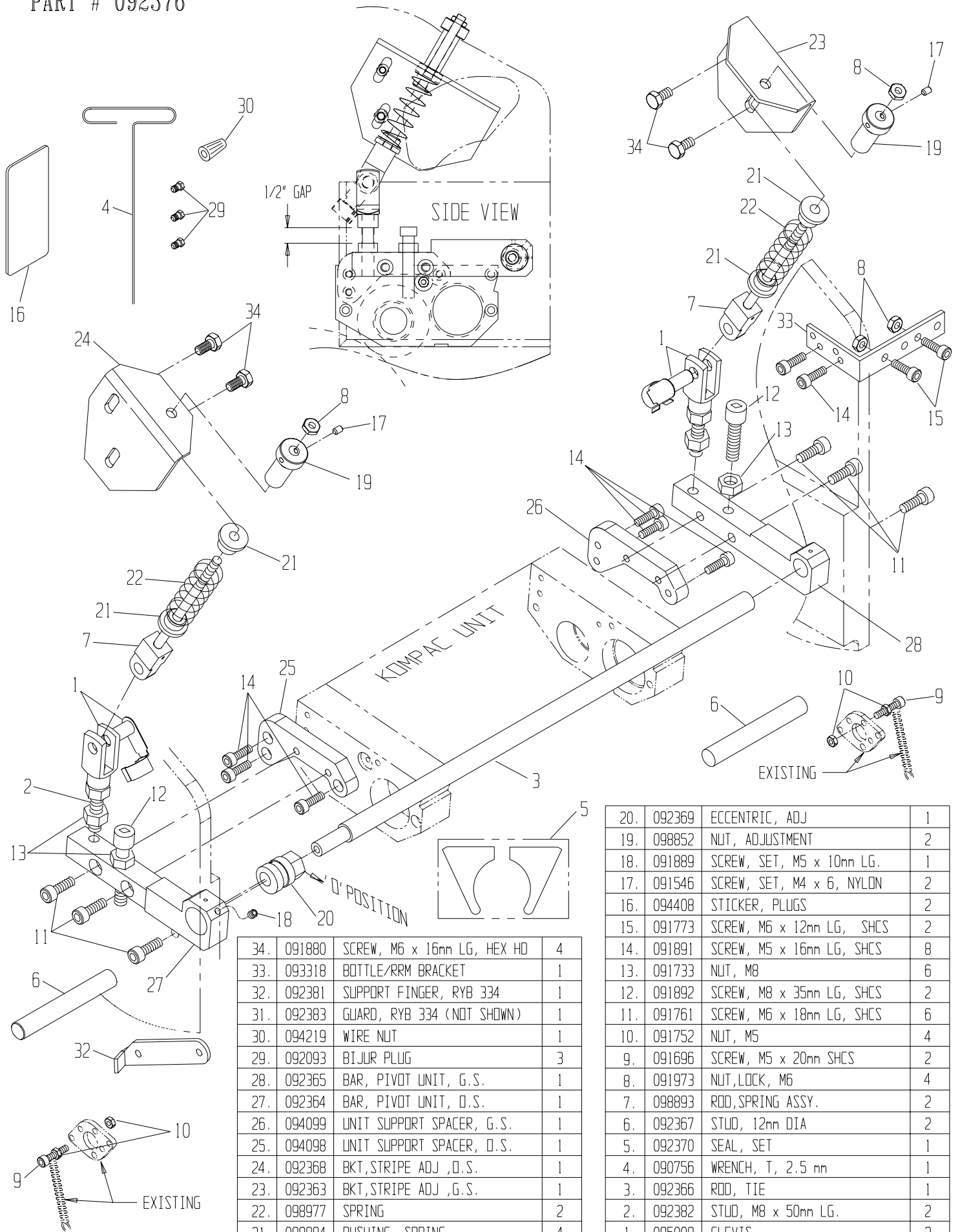
43	094097	SPACER, FORM ROLLER	1
42	091708	SHOULDER SCREW, 6mm	2
41	091262	SHAFT ASSY, S.S.	*
40	092259	SPRING COVER	*
39	092236	TAB SPRING	*
38	090971	TAB, SHORT	*
37	094997	BRACKET, NOZZLE	*
36	091966	WASHER, FLAT	2
35	091949	SPRING PIN	*
34	091997	OSC. RETAINING CLIP	*
33	091965	OSC. RETAINING WASHER	*
32	091111	OSC. DRIVE SHAFT FOLLOWER	*
31	091662	RETAINING RING	1
30	092586	BEARING	*
29	091319	13-1/4 OSC. ROLL. HARD SHELL	1
ITEM#	PART #	DESCRIPTION	QTY

28	090989	TIE ROD	1
27	092601	SAFETY STICKER	1
26	094240	13-1/4" METERING ROLLER W/B	1
25	091907	#6-32 X 3/8 PHILLIPS HD SCW	*
24	092296	SHOULDER SCREW	*
23	092304	GUIDE PIN	*
22	092604	NOZZLE	*
21	092491	WAVE WASHER	2
20	091900	13-1/4" FORM ROLLER W/B	1
19	092880	GEAR CLUTCH ASSY	1
18	090984	I.D. STICKER (HAMADA)	1
17	091898	M5 x 35mm SOC. HD. SCREW	6
16	092401	BEARING	*
15	091904	M5 x 16mm SET SCREW	2
ITEM#	PART #	DESCRIPTION	QTY

14	091888	M5 x 5mm SET SCREW	4
13	091901	M3 x 6mm SOC HD SCREW	*
12	092238	COMPRESSION SPRING	*
11	090970	BACKING PLATE KIT (HAMADA)	1
10	092370	SEAL SET (L & R)	1
9	092291	ECCENTRIC	2
8	092612	METERING GAUGE	2
7	092007	SPRING, COMPRESSION	2
6	094991	OSCILLATOR POST	2
5	090979	TIE BAR	1
4	098750	BRACKET NOZZLE ASSEMBLY	1
3	090985	ALIGNMENT BLOCK	2
2	090993	L.H. END FRAME	1
1	090994	R.H. END FRAME	1
ITEM#	PART #	DESCRIPTION	QTY

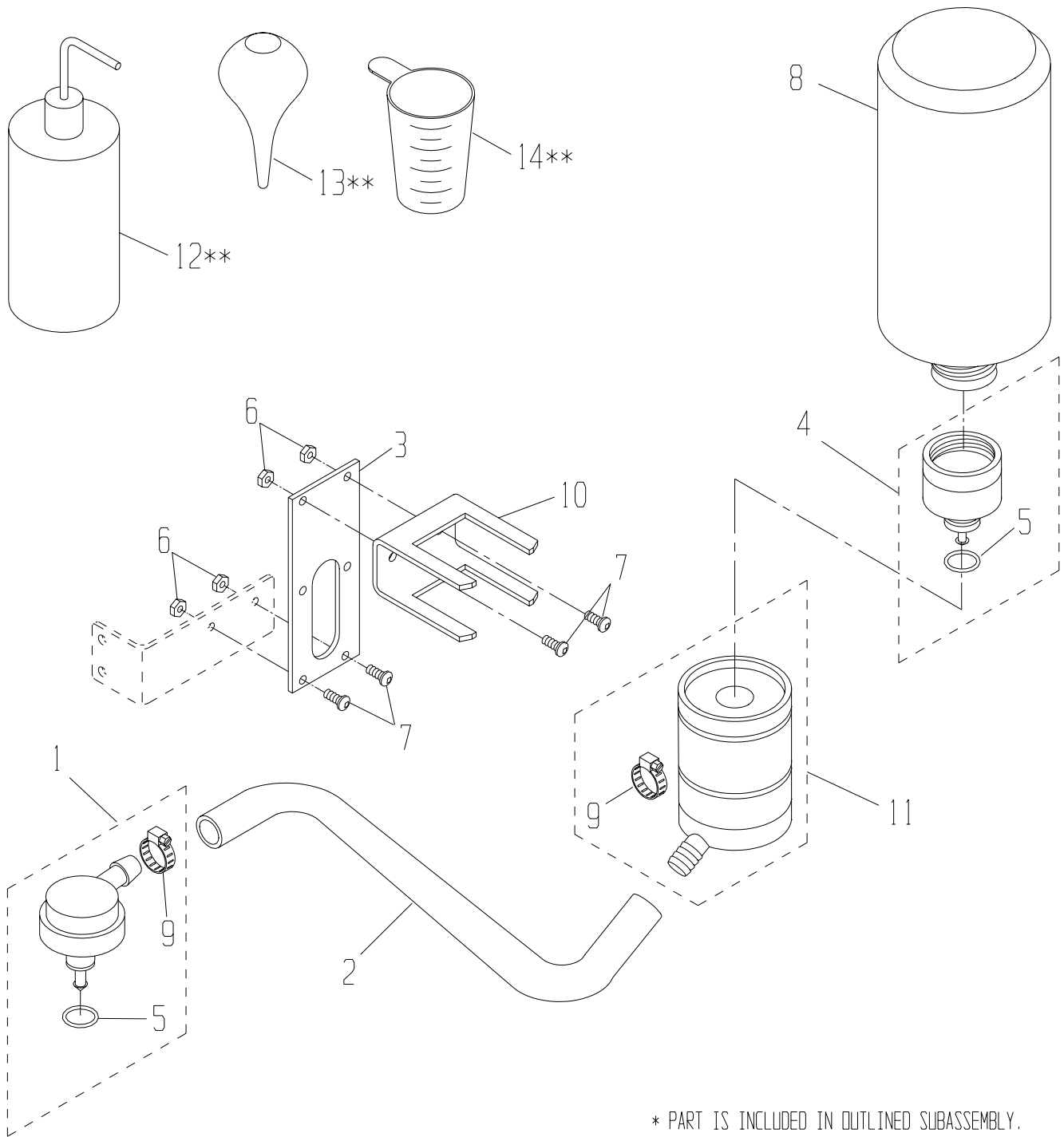
**RYB 334 BRACKET KIT;**  
**PART # 092376**

PARTS CATALOG # 092877 REV. -



34.	091880	SCREW, M6 x 16mm LG, HEX HD	4
33.	093318	BOTTLE/RRM BRACKET	1
32.	092381	SUPPORT FINGER, RYB 334	1
31.	092383	GUARD, RYB 334 (NOT SHOWN)	1
30.	094219	WIRE NUT	1
29.	092093	BIJUR PLUG	3
28.	092365	BAR, PIVOT UNIT, G.S.	1
27.	092364	BAR, PIVOT UNIT, D.S.	1
26.	094099	UNIT SUPPORT SPACER, G.S.	1
25.	094098	UNIT SUPPORT SPACER, D.S.	1
24.	092368	BKT, STRIPE ADJ ,D.S.	1
23.	092363	BKT, STRIPE ADJ ,G.S.	1
22.	098977	SPRING	2
21.	098984	BUSHING, SPRING	4
ITEM	PART #	DESCRIPTION	QTY.

20.	092369	ECCENTRIC, ADJ	1
19.	098852	NUT, ADJUSTMENT	2
18.	091889	SCREW, SET, M5 x 10mm LG.	1
17.	091546	SCREW, SET, M4 x 6, NYLON	2
16.	094408	STICKER, PLUGS	2
15.	091773	SCREW, M6 x 12mm LG, SHCS	2
14.	091891	SCREW, M5 x 16mm LG, SHCS	8
13.	091733	NUT, M8	6
12.	091892	SCREW, M8 x 35mm LG, SHCS	2
11.	091761	SCREW, M6 x 18mm LG, SHCS	6
10.	091752	NUT, M5	4
9.	091696	SCREW, M5 x 20mm SHCS	2
8.	091973	NUT, LOCK, M6	4
7.	098893	ROD, SPRING ASSY.	2
6.	092367	STUD, 12mm DIA	2
5.	092370	SEAL, SET	1
4.	090756	WRENCH, T, 2.5 mm	1
3.	092366	ROD, TIE	1
2.	092382	STUD, M8 x 50mm LG.	2
1.	095009	CLEVIS	2
ITEM	PART #	DESCRIPTION	QTY.



\* PART IS INCLUDED IN OUTLINED SUBASSEMBLY.  
 \*\* PARTS ARE NOT INCLUDED WITH BOTTLE KIT

14	092783	MEASURING CUP	**
13	092779	SYRINGE	**
12	092774	WASH UP BOTTLE	**
11	092740	BOTTLE VALVE ASSY	1
10	092749	UNIVERSAL BOTTLE BRACKET	1
9	091911	ADJUSTABLE CLAMP	*
8	092771	ROUND CALIBRATED BOTTLE	1
ITEM#	PART #	DESCRIPTION	QTY

7	091765	M5 x 12mm BUTTON HD.SCREW	4
6	091599	M5 LOCK NUT	4
5	092765	O-RING	*
4	092760	DISPENSING VALVE ASSY	1
3	092748	UNIVERSAL BRACKET	1
2	092756	1/2" VINYL TUBING	1
1	092750	ADAPTER BASE ASSY	1
ITEM#	PART #	DESCRIPTION	QTY