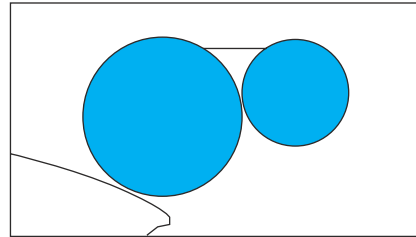


Date of Installation : _____

Unit Serial Number : _____

Kompac Dealer : _____

Kompac®



A DIVISION OF DAY INTERNATIONAL, INC.



DAY INTERNATIONAL, INC.

Image Transfer Group

Kompac



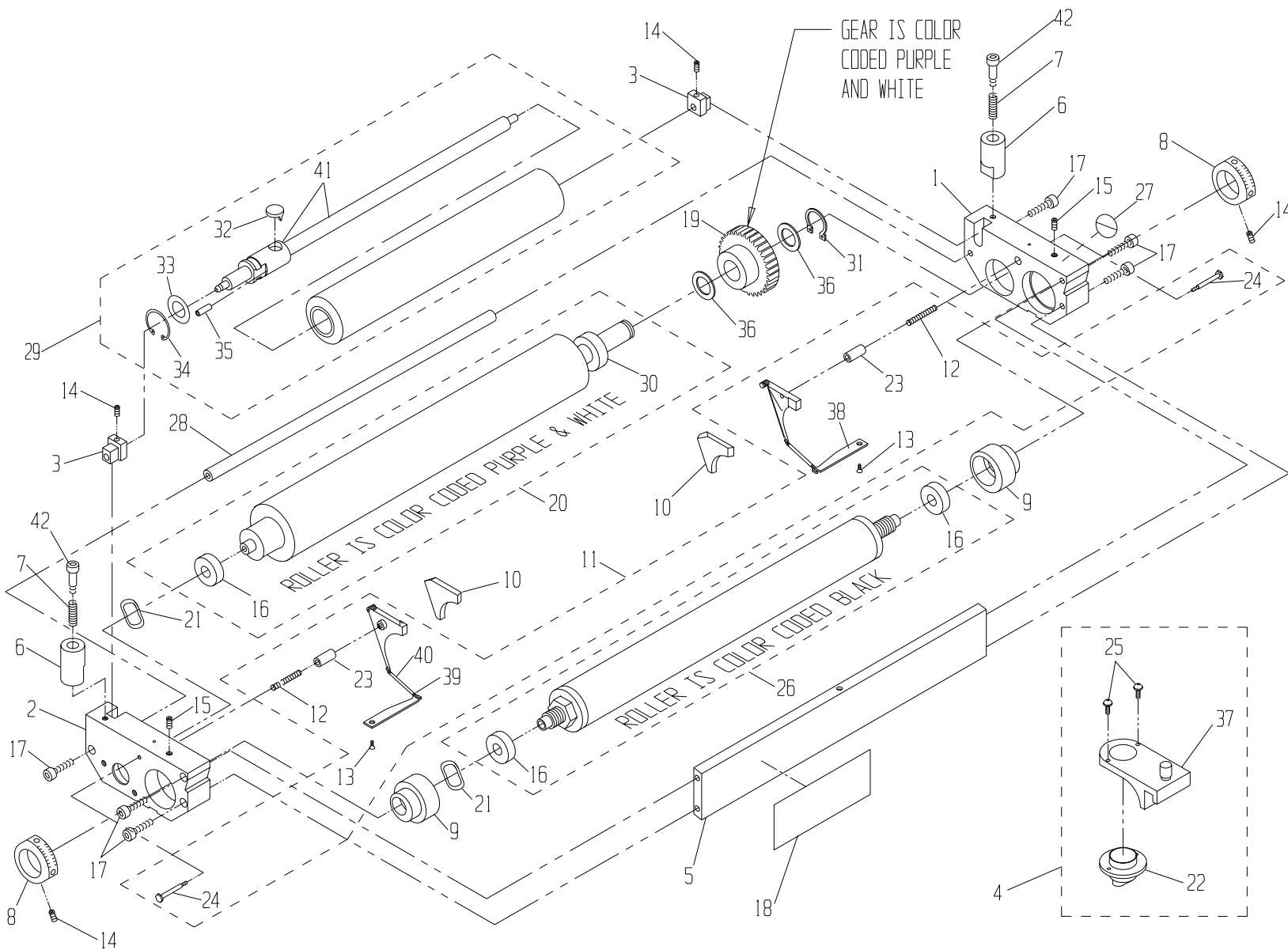
HMD 34-1-0

Parts Catalog # 090912

159 DWIGHT PLACE , FAIRFIELD , NEW JERSEY 07004

TEL: 973-227-8611 / 800-541-5702

FAX: 973-227-7532



* PART IS INCLUDED IN OUTLINED SUBASSEMBLY.

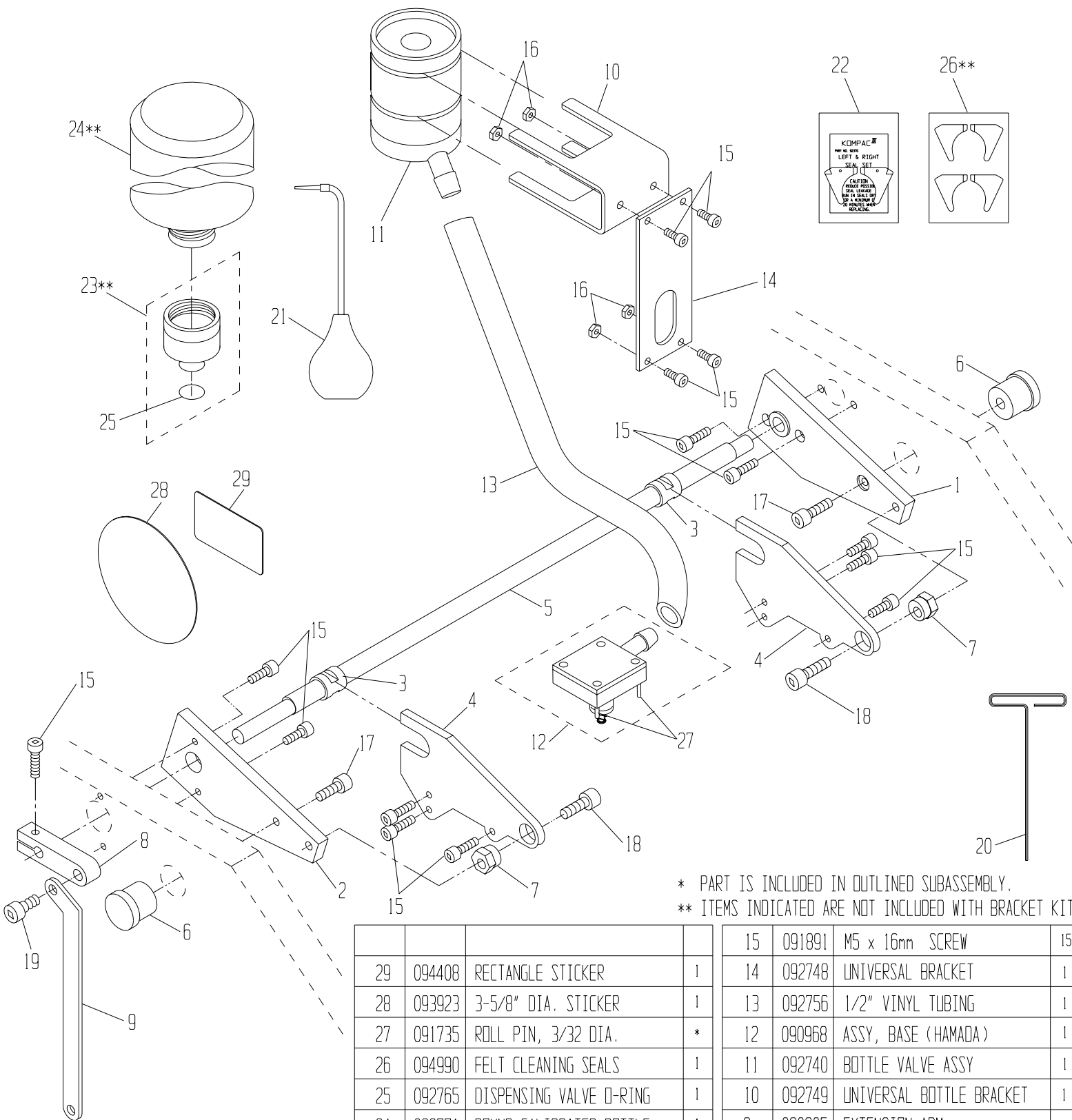
42	091708	SHOULDER SCREW, 6mm	2
41	091262	SHAFT ASSY, S.S.	*
40	092259	SPRING COVER	*
39	092236	TAB SPRING	*
38	090971	TAB, SHORT	*
37	094997	BRACKET, NOZZLE	*
36	091966	WASHER, FLAT	2
35	091949	SPRING PIN	*
34	091997	OSC. RETAINING CLIP	*
33	091965	OSC. RETAINING WASHER	*
32	091111	OSC. DRIVE SHAFT FOLLOWER	*
31	091662	RETAINING RING	1
30	092586	BEARING	*
29	091311	13-1/4 OSC. ROLL. PARTS ASSY	1
ITEM#	PART #	DESCRIPTION	QTY

28	090989	TIE ROD	1
27	092601	SAFETY STICKER	1
26	094240	13-1/4" METERING ROLLER W/B	1
25	091907	#6-32 X 3/8 PHILLIPS HD SCW	*
24	092296	SHOULDER SCREW	*
23	092304	GUIDE PIN	*
22	092604	NOZZLE	*
21	092491	WAVE WASHER	2
20	090973	13-1/4" FORM ROLLER W/B	1
19	090959	GEAR CLUTCH ASSY, HMD-34	1
18	090984	I.D. STICKER (HAMADA)	1
17	091898	M5 x 35mm SOC. HD. SCREW	6
16	092401	BEARING	*
15	091904	M5 x 16mm SET SCREW	2
ITEM#	PART #	DESCRIPTION	QTY

14	091888	M5 x 5mm SET SCREW	4
13	091901	M3 x 6mm SOC HD SCREW	*
12	092238	COMPRESSION SPRING	*
11	090970	BACKING PLATE KIT (HAMADA)	1
10	092370	SEAL SET (L & R)	1
9	092291	ECCENTRIC	2
8	092612	METERING GAUGE	2
7	092007	SPRING, COMPRESSION	2
6	094991	OSCILLATOR POST	2
5	090979	TIE BAR	1
4	098750	BRACKET NOZZLE ASSEMBLY	1
3	090985	ALIGNMENT BLOCK	2
2	090993	L.H. END FRAME	1
1	090994	R.H. END FRAME	1
ITEM#	PART #	DESCRIPTION	QTY

HMD-34-1-0 MOUNTING BRACKET KIT: P/N 090914

PARTS CATALOG #090912 REV. C



* PART IS INCLUDED IN OUTLINED SUBASSEMBLY.
 ** ITEMS INDICATED ARE NOT INCLUDED WITH BRACKET KIT.

				15	091891	M5 x 16mm SCREW	15	
	29	094408	RECTANGLE STICKER	1	14	092748	UNIVERSAL BRACKET	1
	28	093923	3-5/8" DIA. STICKER	1	13	092756	1/2" VINYL TUBING	1
	27	091735	ROLL PIN, 3/32 DIA.	*	12	090968	ASSY, BASE (HAMADA)	1
	26	094990	FELT CLEANING SEALS	1	11	092740	BOTTLE VALVE ASSY	1
	25	092765	DISPENSING VALVE O-RING	1	10	092749	UNIVERSAL BOTTLE BRACKET	1
	24	092771	ROUND CALIBRATED BOTTLE	1	9	090905	EXTENSION ARM	1
	23	092760	DISPENSING VALVE ASSY	1	8	090904	LIFT ARM	1
	22	092370	SEAL SET	1	7	090902	ECCENTRIC	2
	21	092779	SYRINGE, LONG NECK	1	6	090901	PLUG, SIDE FRAME	2
	20	090755	T-WRENCH, 3/32	1	5	090906	SHAFT, ECCENTRIC	1
	19	091721	M8 x 12mm LOW HD SCREW	1	4	090909	UNIT SUPPORT	2
	18	091758	M8 x 20mm SCREW	2	3	090903	BUSHING	2
	17	091761	M6 x 18mm SCREW	2	2	090915	ASSY, MOUNTING BRKT, L.H.	1
	16	091752	M5 NUT	4	1	090916	ASSY, MOUNTING BRKT, R.H.	1
ITEM#	PART #	DESCRIPTION	QTY	ITEM#	PART #	DESCRIPTION	QTY	