

Date of Installation : _____

Unit Serial Number : _____

Kompac Dealer : _____

Kompac®



A DIVISION OF DAY INTERNATIONAL, INC.



DAY INTERNATIONAL, INC.

Image Transfer Group



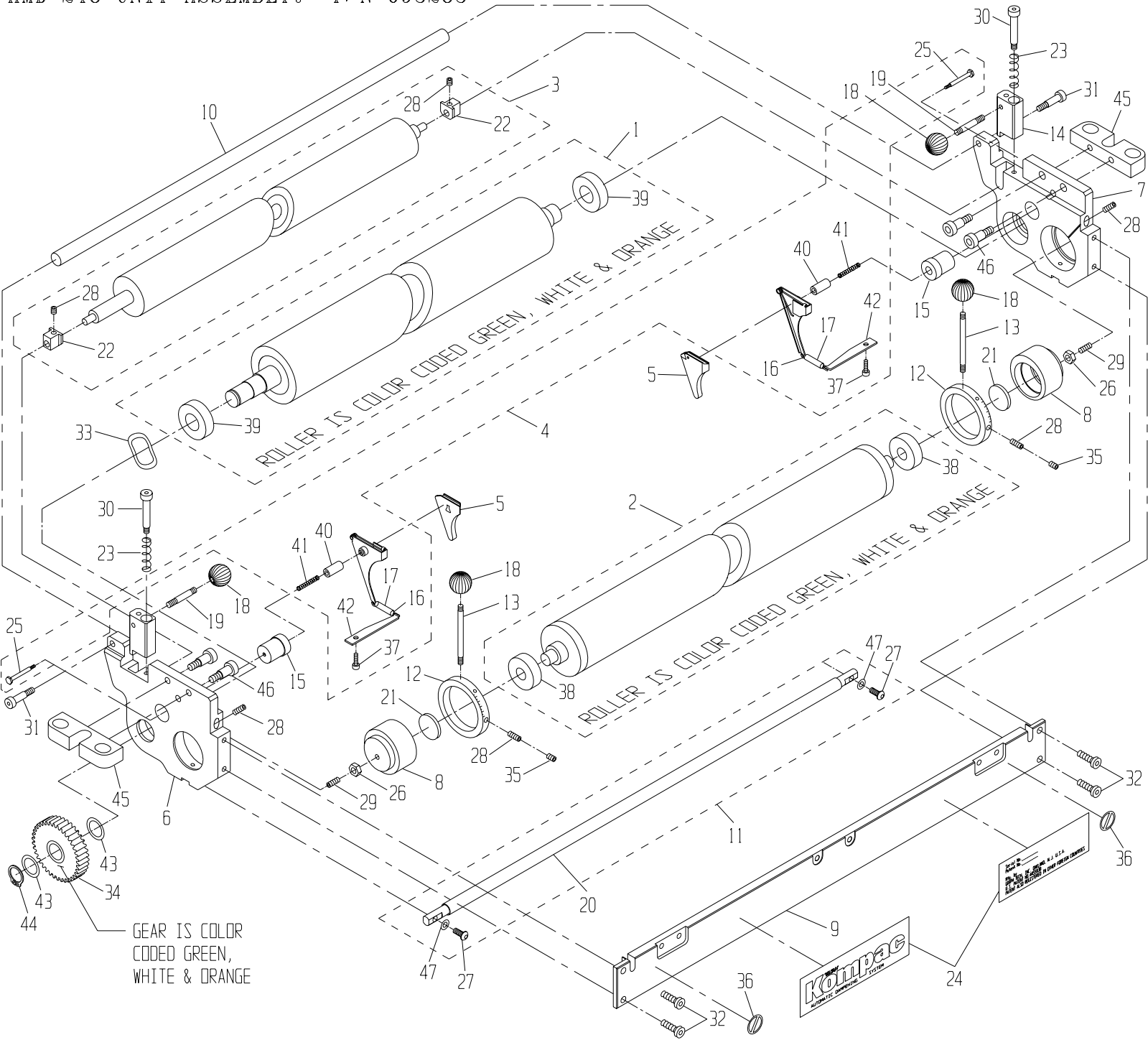
HMD 248 / 248R

Parts Catalog # 093282

159 DWIGHT PLACE , FAIRFIELD , NEW JERSEY 07004

TEL: 973-227-8611 / 800-541-5702

FAX: 973-227-7532

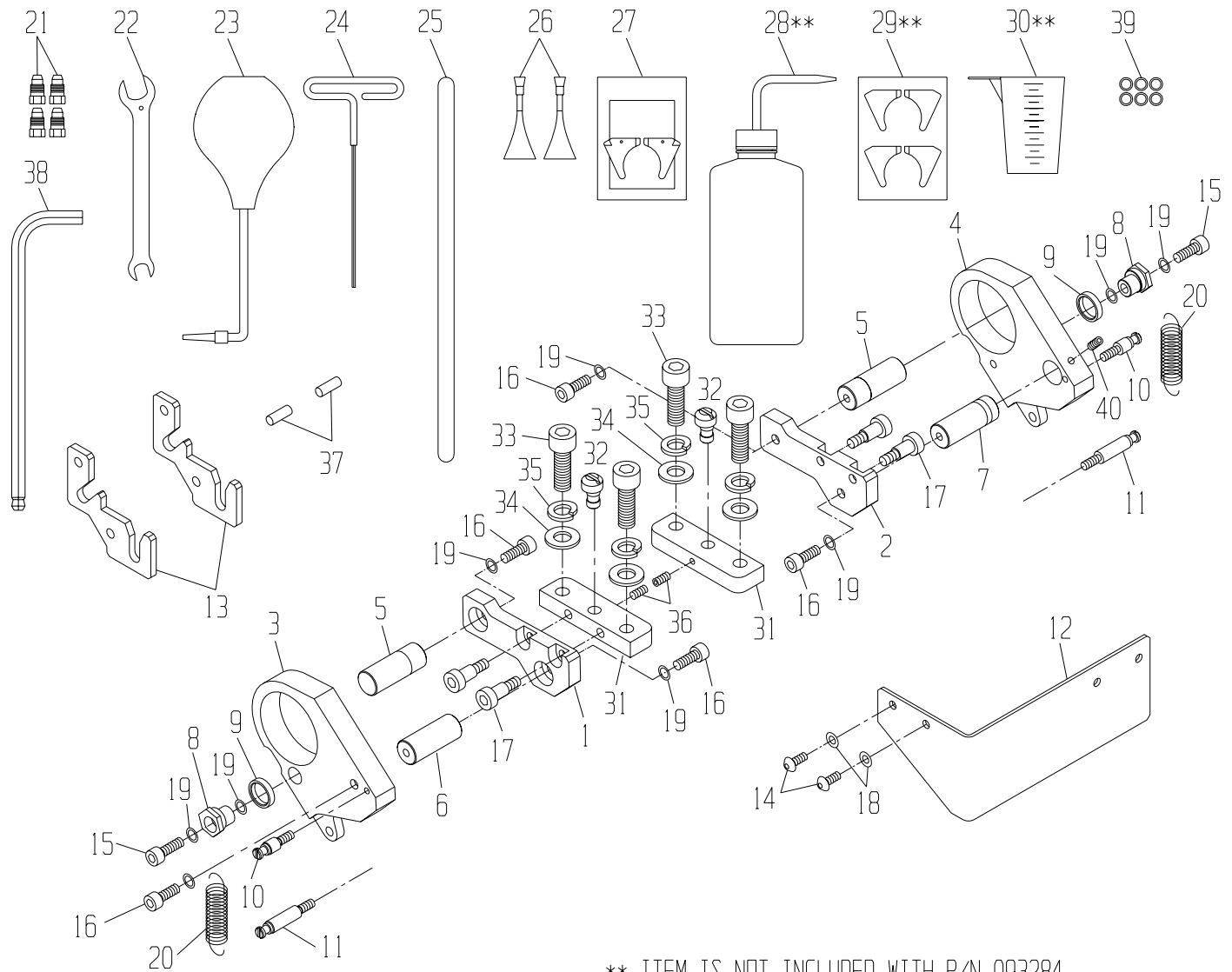


* ITEM IS INCLUDED WITH OUTLINED SUBASSEMBLY.

** ITEM 11 IS INCLUDED WITH THE 2ND HEAD BRACKET KIT, P/N 093285.

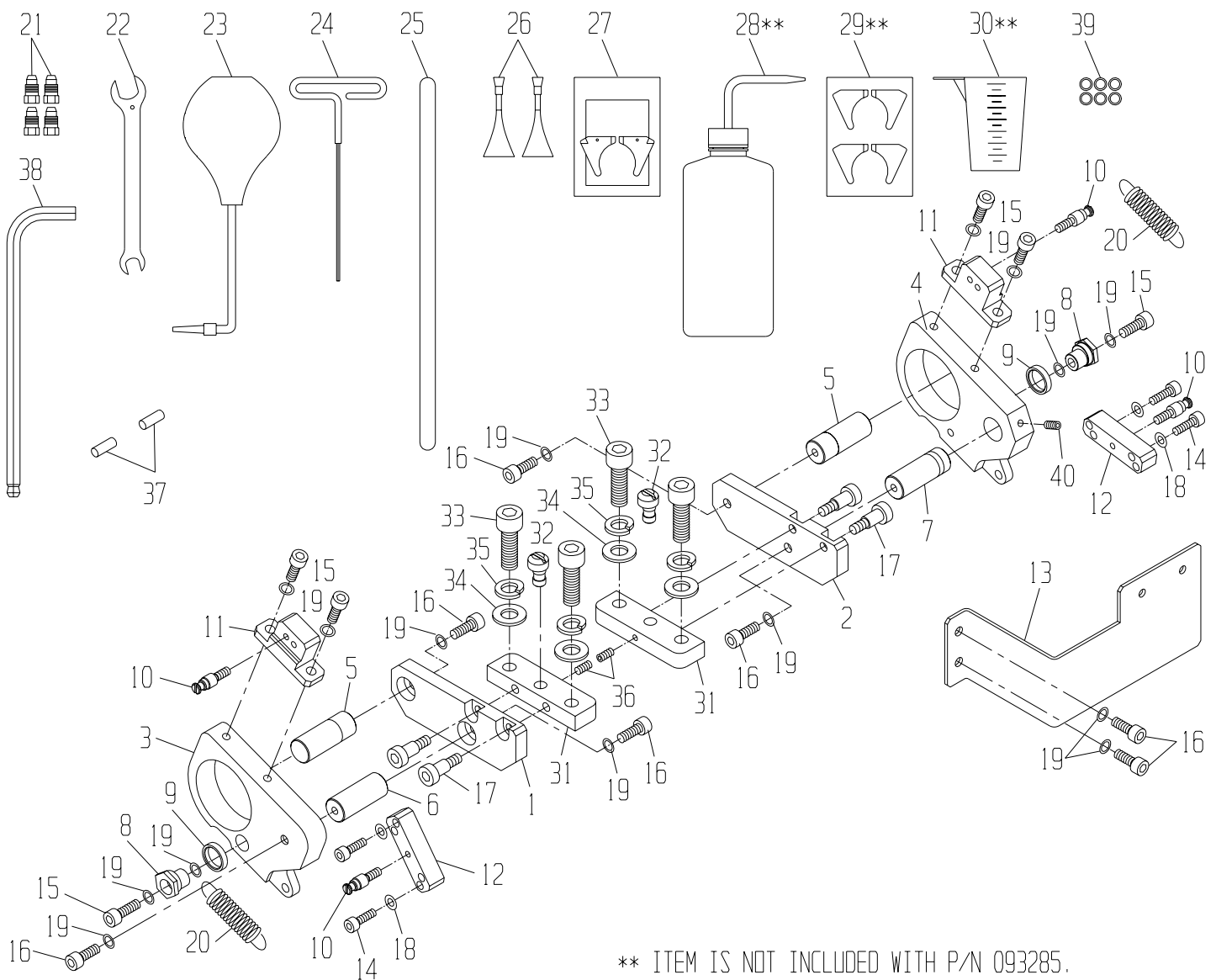
47.	091689	M5 BELLEVILLE WASHER	**	32.	091773	M6 X 12mm CAP SCREW	4	16.	092236	SPRING	*
46.	091712	M8 x 12mm SHOULDER SCREW	4	31.	091711	M6 x 16mm SHOULDER SCREW	2	15.	091407	BACKING PLATE STANDOFF	2
45.	091419	ATTACHMENT BLOCK, GTD	2	30.	091708	M6 SHOULDER SCREW	2	14.	095697	CLAMP, OSCILLATOR	2
44.	091663	16mm EXT. RETAINING RING	1	29.	091703	M5 X 12mm SET SCREW	2	13.	093367	THREADED STUD, M5/#10-32x1.75"	2
43.	092119	SHIM WASHER, 16x22x0.3mm	2	28.	091888	M5 X 5mm SET SCREW	4*	12.	091416	METERING GAUGE	2
42.	091406	SPRING PLATE (K III)	*	27.	091765	M5 X 12mm BUTTON HD CAP SCREW	**	11.	093365	ASSY, GUIDE BAR, HMD-248	**
41.	092242	COMPRESSION SPRING	*	26.	091752	M5 NUT	2	10.	093301	TIE ROD, HMD-248	1
40.	092304	GUIDE PIN	*	25.	092303	SEAL PLATE SHOULDER SCREW	2	9.	093299	TIE PLATE, HMD-248	1
39.	092102	BEARING, 17x35x10mm (6003)	*	24.	093369	LABELS, TIE PLATE	1	8.	091412	ECCENTRIC, METERING ROLLER	2
38.	092586	BEARING, BALL, LIGHT SERIES	*	23.	092122	COMP. SPRING, .360x1.25x.049	2	7.	093298	END FRAME, R.H., HMD-248	1
37.	091760	M4 X 10mm CAP SCREW	*	22.	092174	METRIC ALIGNMENT BLOCK	*	6.	093296	END FRAME, L.H., HMD-248	1
36.	092601	SAFETY STICKER	2	21.	091413	THRUST PLATE	2	5.	090850	R.H. AND L.H. SEAL SET (K III)	1
35.	091909	M5 x 4mm SLOTTED SET SCREW	2	20.	094365	PLATE GUIDE	**	4.	091450	SEAL BACKING PLATE KIT (K III)	1
34.	093347	ASSY, GEAR-CLUTCH, KIII	1	19.	091417	THREADED STUD, SHORT	2	3.	093346	KDORMATE ASSY, 48cm	1
33.	091783	WASHER, WAVE, 35mm	1	18.	092055	BALL KNOB	4	2.	093291	ASSY, METERING ROLLER, 48-C	1
ITEM	PART #	DESCRIPTION	QTY.	17.	092259	TUBING	*	1.	093286	ASSY, FORM ROLLER, 48-CL	1
ITEM	PART #	DESCRIPTION	QTY.					ITEM	PART #	DESCRIPTION	QTY.

HMD-248 1ST HEAD BRACKET KIT: P/N 093284 PARTS CATALOG #093282 REV. D



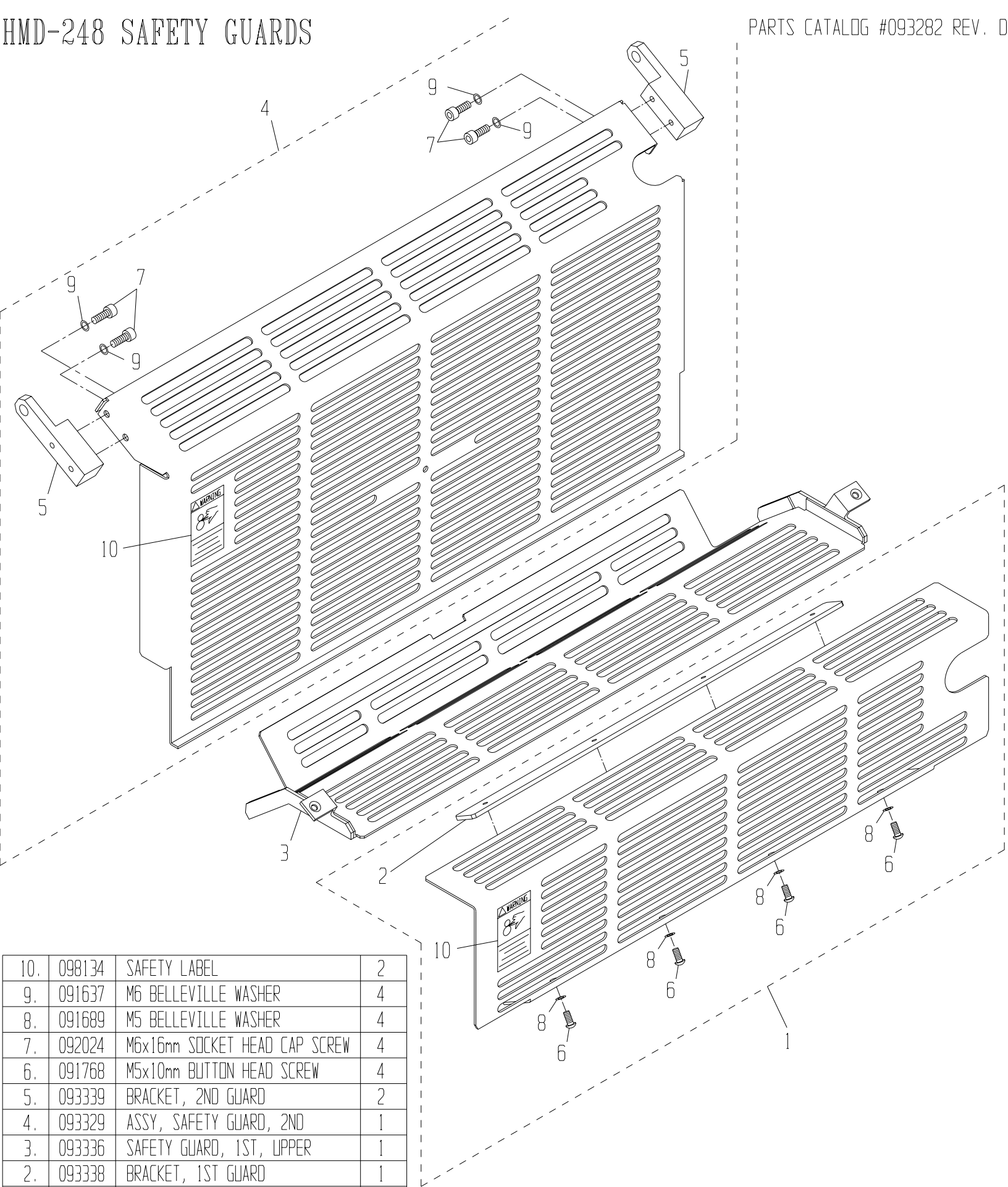
** ITEM IS NOT INCLUDED WITH P/N 093284.

40.	092128	M5x10mm CONE POINT SET SCREW	1	20.	092099	EXTENSION SPRING, 1.9x.50x.08	2
39.	093368	SHIM WASHER	6	19.	091637	M6 BELLEVILLE WASHER	9
38.	090758	8mm HEX L-KEY	1	18.	091689	M5 BELLEVILLE WASHER	2
37.	092121	M6x16mm DOWEL PIN (OVERSIZE)	2	17.	091710	M6x10mm SOCKET SHOULDER SCREW	4
36.	091888	M5x5mm SET SCREW	2	16.	091761	M6x18mm SOCKET HEAD CAP SCREW	5
35.	091741	M10 SPLIT LOCK WASHER	4	15.	092024	M6x16mm SOCKET HEAD CAP SCREW	2
34.	091976	M10 FLAT WASHER	4	14.	091765	M5x12mm BUTTON HEAD CAP SCREW	2
33.	091629	M10x30mm SOCKET HEAD CAP SCREW	4	13.	093317	INK ROLLER BRACKET, HMD-248-1	2
32.	091511	KIII ADJUSTMENT ECCENTRIC	2	12.	093318	BOTTLE/RRM BRACKET, HMD-248-1	1
31.	093366	MOUNTING BLOCK, HMD-248/252	2	11.	093341	SPRING STANDOFF, M5x.275x1.0	2
30.	092783	MEASURING CUP	**	10.	093342	SPRING STANDOFF, M5x.275x.375	2
29.	094900	KOMPAC III CLEANING SEALS (4)	**	9.	093307	ON/OFF FOLLOWER, HMD-248	2
28.	092774	LONG NECK WASH-UP BOTTLE	**	8.	093308	ON/OFF ECCENTRIC, HMD-248	2
27.	090850	KOMPAC SEAL SET	1	7.	093353	ON/OFF SHAFT, HMD-248, NOP	1
26.	092061	LOCTITE THREAD LOCKER	1	6.	093351	ON/OFF SHAFT, HMD-248, OP	1
25.	092117	FEELER GAUGE, .030 THICK	1	5.	093349	PIVOT SHAFT, HMD-248	2
24.	090756	2.5mm T-WRENCH	1	4.	093306	ON/OFF BRKT, HMD-248-1, NOP	1
23.	092779	LONG NECK SYRINGE	2	3.	093305	ON/OFF BRKT, HMD-248-1, OP	1
22.	093555	KOMPAC WRENCH	1	2.	093316	MOUNTING BRKT, HMD-248-1, NOP	1
21.	092092	PLUG, BIJUR	4	1.	093315	MOUNTING BRKT, HMD-248-1, OP	1
ITEM	PART #	DESCRIPTION	QTY.	ITEM	PART #	DESCRIPTION	QTY.

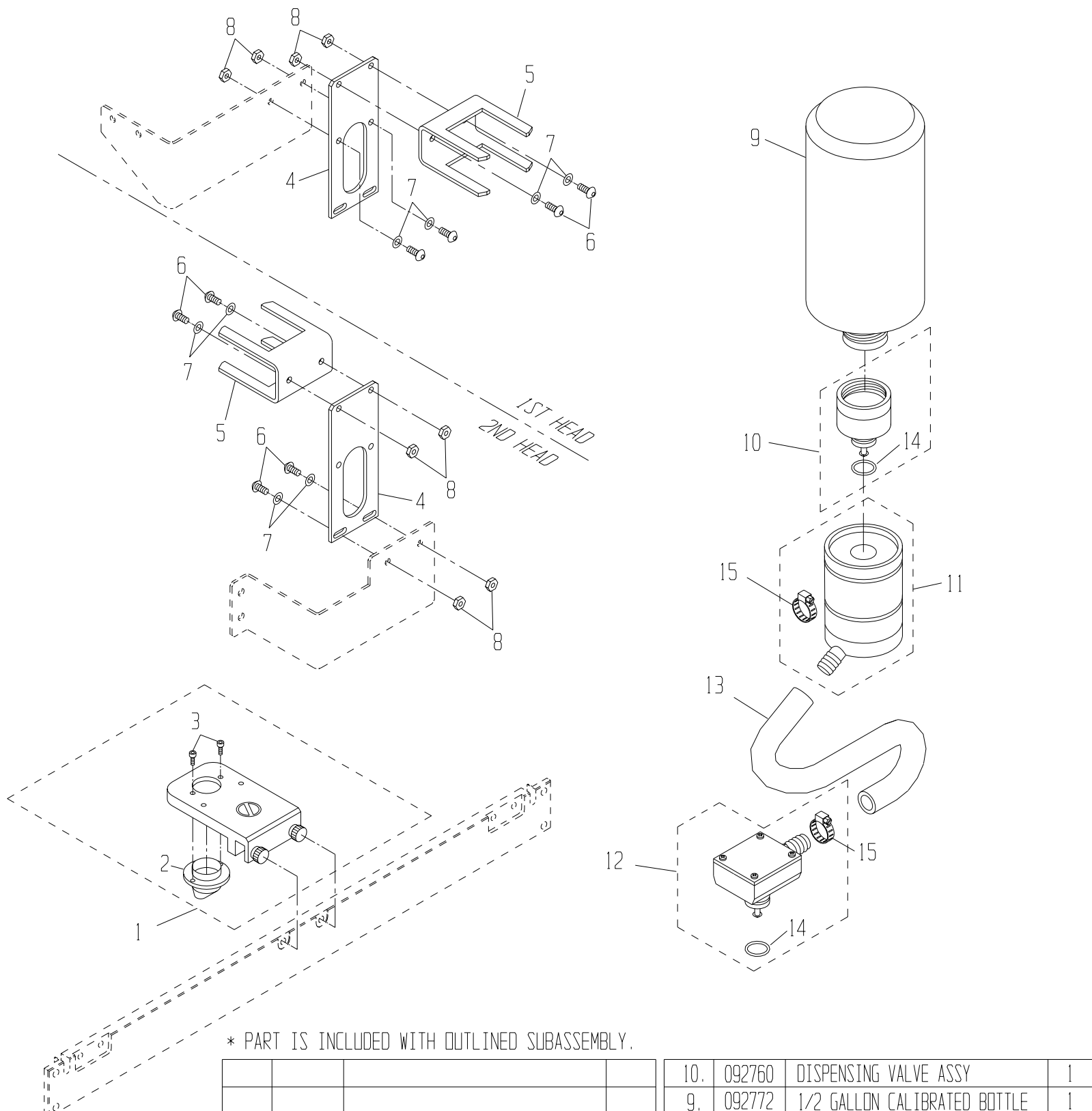


** ITEM IS NOT INCLUDED WITH P/N 093285.

40.	092128	M5x10mm CONE POINT SET SCREW	1	20.	092099	EXTENSION SPRING, 1.9x.50x.08	2
39.	093368	SHIM WASHER	6	19.	091637	M6 BELLEVILLE WASHER	15
38.	090758	8mm HEX L-KEY	1	18.	091689	M5 BELLEVILLE WASHER	4
37.	092121	M6x16mm DOWEL PIN (OVERSIZE)	2	17.	091710	M6x10mm SOCKET SHOULDER SCREW	4
36.	091888	M5x5mm SET SCREW	2	16.	091761	M6x18mm SOCKET HEAD CAP SCREW	7
35.	091741	M10 SPLIT LOCK WASHER	4	15.	092024	M6x16mm SOCKET HEAD CAP SCREW	6
34.	091976	M10 FLAT WASHER	4	14.	091696	M5x20mm SOCKET HEAD CAP SCREW	4
33.	091629	M10x30mm SOCKET HEAD CAP SCREW	4	13.	093319	BOTTLE/RRM BRACKET, HMD-248-2	1
32.	091511	KIII ADJUSTMENT ECCENTRIC	2	12.	093345	PRESS SPRING BRKT, HMD-248-2	2
31.	093366	MOUNTING BLOCK, HMD-248/252	2	11.	093344	UNIT SPRING BRKT, HMD-248-2	2
30.	092783	MEASURING CUP	**	10.	093342	SPRING STANDOFF, M5x.275x.375	4
29.	094900	KOMPAC III CLEANING SEALS (4)	**	9.	093307	ON/OFF FOLLOWER, HMD-248	2
28.	092774	LONG NECK WASH-UP BOTTLE	**	8.	093308	ON/OFF ECCENTRIC, HMD-248	2
27.	090850	KOMPAC SEAL SET	1	7.	093353	ON/OFF SHAFT, HMD-248, NOP	1
26.	092061	LOCTITE THREAD LOCKER	1	6.	093351	ON/OFF SHAFT, HMD-248, OP	1
25.	092117	FEELER GAUGE, .030 THICK	1	5.	093349	PIVOT SHAFT, HMD-248	2
24.	090756	2.5mm T-WRENCH	1	4.	093304	ON/OFF BRKT, HMD-248-2, NOP	1
23.	092779	LONG NECK SYRINGE	2	3.	093303	ON/OFF BRKT, HMD-248-2, OP	1
22.	093555	KOMPAC WRENCH	1	2.	093312	MOUNTING BRKT, HMD-248-2, NOP	1
21.	092092	PLUG, BIJUR	4	1.	093311	MOUNTING BRKT, HMD-248-2, OP	1
ITEM	PART #	DESCRIPTION	QTY.	ITEM	PART #	DESCRIPTION	QTY.



10.	098134	SAFETY LABEL	2
9.	091637	M6 BELLEVILLE WASHER	4
8.	091689	M5 BELLEVILLE WASHER	4
7.	092024	M6x16mm SOCKET HEAD CAP SCREW	4
6.	091768	M5x10mm BUTTON HEAD SCREW	4
5.	093339	BRACKET, 2ND GUARD	2
4.	093329	ASSY, SAFETY GUARD, 2ND	1
3.	093336	SAFETY GUARD, 1ST, UPPER	1
2.	093338	BRACKET, 1ST GUARD	1
1.	093328	ASSY, SAFETY GUARD, 1ST, LOWER	1
ITEM	PART #	DESCRIPTION	QTY.



* PART IS INCLUDED WITH OUTLINED SUBASSEMBLY.

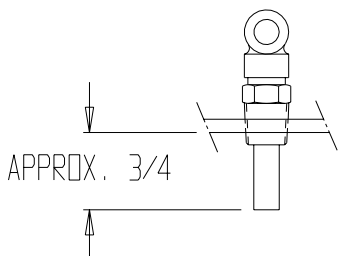
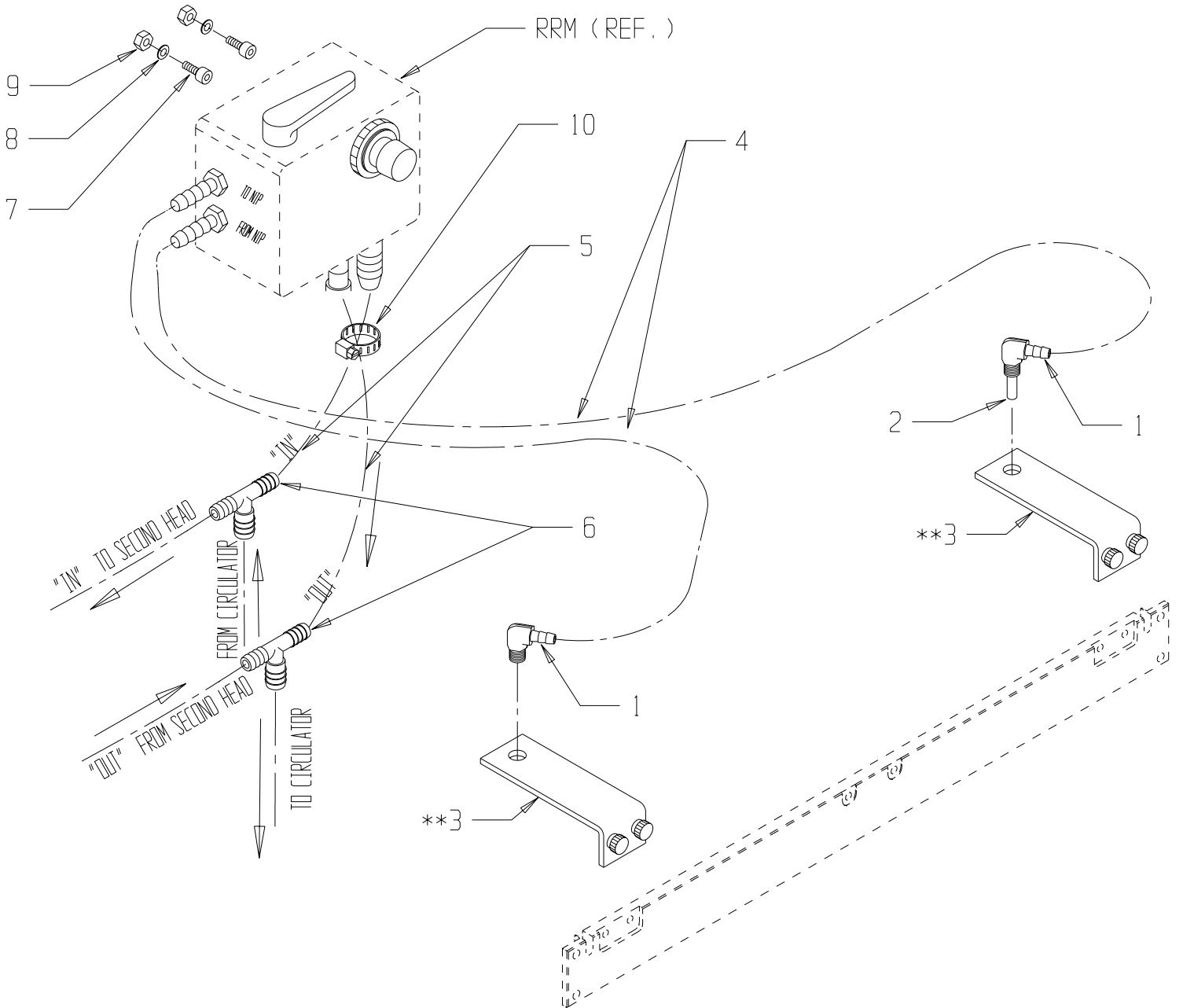
				10.	092760	DISPENSING VALVE ASSY	1
				9.	092772	1/2 GALLON CALIBRATED BOTTLE	1
				8.	091752	M5 NUT	4
				7.	091689	WASHER, BELLEVILLE (M5)	4
				6.	091765	M5 X 12mm BUTTON HEAD SCREW	4
				5.	092749	UNIVERSAL BOTTLE BRACKET	1
				4.	092748	UNIVERSAL BRACKET	1
				3.	091907	SCREW, #6-32 X 3/8 PHIL PAN HD	*
				2.	092604	NOZZLE	*
				1.	093358	ASSY, NOZZLE BRACKET, HMD-248	1
ITEM	PART #	DESCRIPTION	QTY.	ITEM	PART #	DESCRIPTION	QTY.

RRM HOSE KIT (INSULATED): P/N 095925

PARTS CATALOG #093282 REV. D

NOTES:

1. GIVEN QUANTITY IS PER (1) PRINTING HEAD.
2. ITEMS MARKED * ARE INCLUDED WITH OUTLINED SUBASSEMBLY.
3. ITEMS MARKED ** ARE NOT INCLUDED WITH P/N 095925.



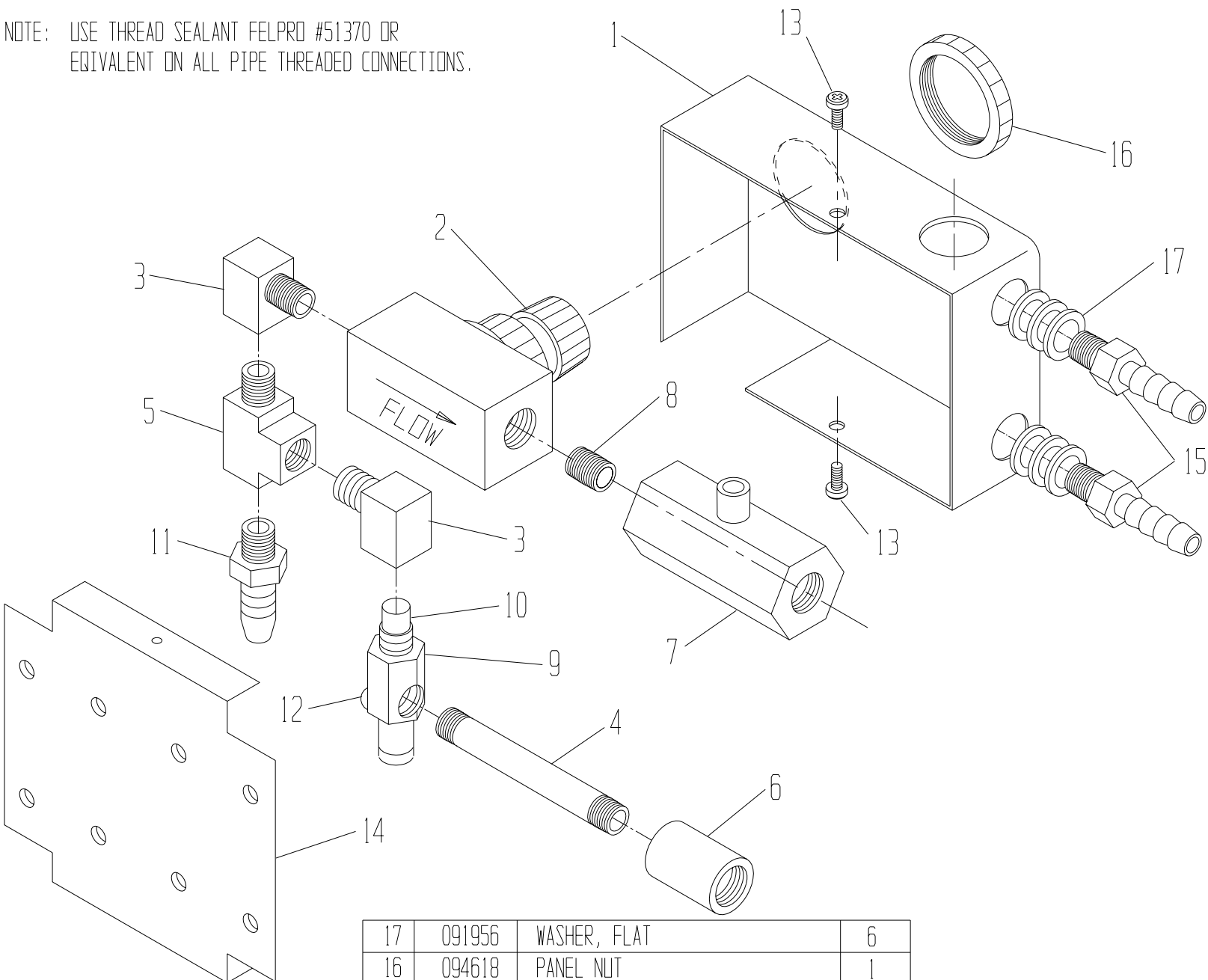
CUT TUBING ITEM #2 TO LENGTH AT INSTALLATION.

10	091911	CLAMP, HOSE, WORM S.S.	8
09	091752	NUT, HEX, M5x0.8	2
08	091740	WASHER, SPLIT LOCK M5	2
07	091765	M5x12mm BUTTON HEAD CAP SCREW	2
06	091077	BARB TEE 1/2 X 3/8 X 3/8	1
05	091081	PVC FLEX. TUBING 3/8 I.D. X 5/8 O.D.	1
04	091084	TUBING, RUBBER W/SLEEVE	1
03	094744	BRACKET, NOZZLE	**
02	091078	1/4 O.D. TUBING, 2" LG	1
01	095963	ELBOW FITTING, 1/8 NPT x 1/4 BARB	2
ITEM	PART NO.	DESCRIPTION	QTY.

RRM UNIT (INSULATED): P/N 094731

PARTS CATALOG #093282 REV. 0

NOTE: USE THREAD SEALANT FELPRO #51370 OR EQUIVALENT ON ALL PIPE THREADED CONNECTIONS.



17	091956	WASHER, FLAT	6
16	094618	PANEL NUT	1
15	095962	FITTING, 1/8 NPT x 1/4 BARB	2
14	094612	PLATE, MOUNTING	1
13	091907	SCREW #6-32 PAN HD. SELF-TAP	2
12	091824	SCREW #6-32 TRUSS HD.	1
11	091062	FITTING, 1/8 NPT x 3/8 BARB	1
10	095939	TIP, VACUUM	1
09	095938	BODY, VACUUM	1
08	095948	NIPPLE, CLOSE, 1/8 NPT	1
07	095949	BALL VALVE	1
06	094616	COUPLING, 1/8 NPT	1
05	094613	TEE, STREET, 1/8 NPT	1
04	094615	NIPPLE, LONG, 1/8 NPT	1
03	094614	ELBOW, STREET, 1/8 NPT	2
02	094617	NEEDLE VALVE	1
01	094611	ENCLOSURE	1
ITEM	PART NO.	DESCRIPTION	QTY.