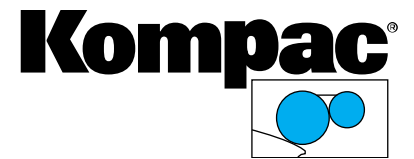


Kompac[®]



Date of Installation: _____

Unit Serial Number: _____

HMD 234A

Parts Catalog #94172

Hamada Press Models:

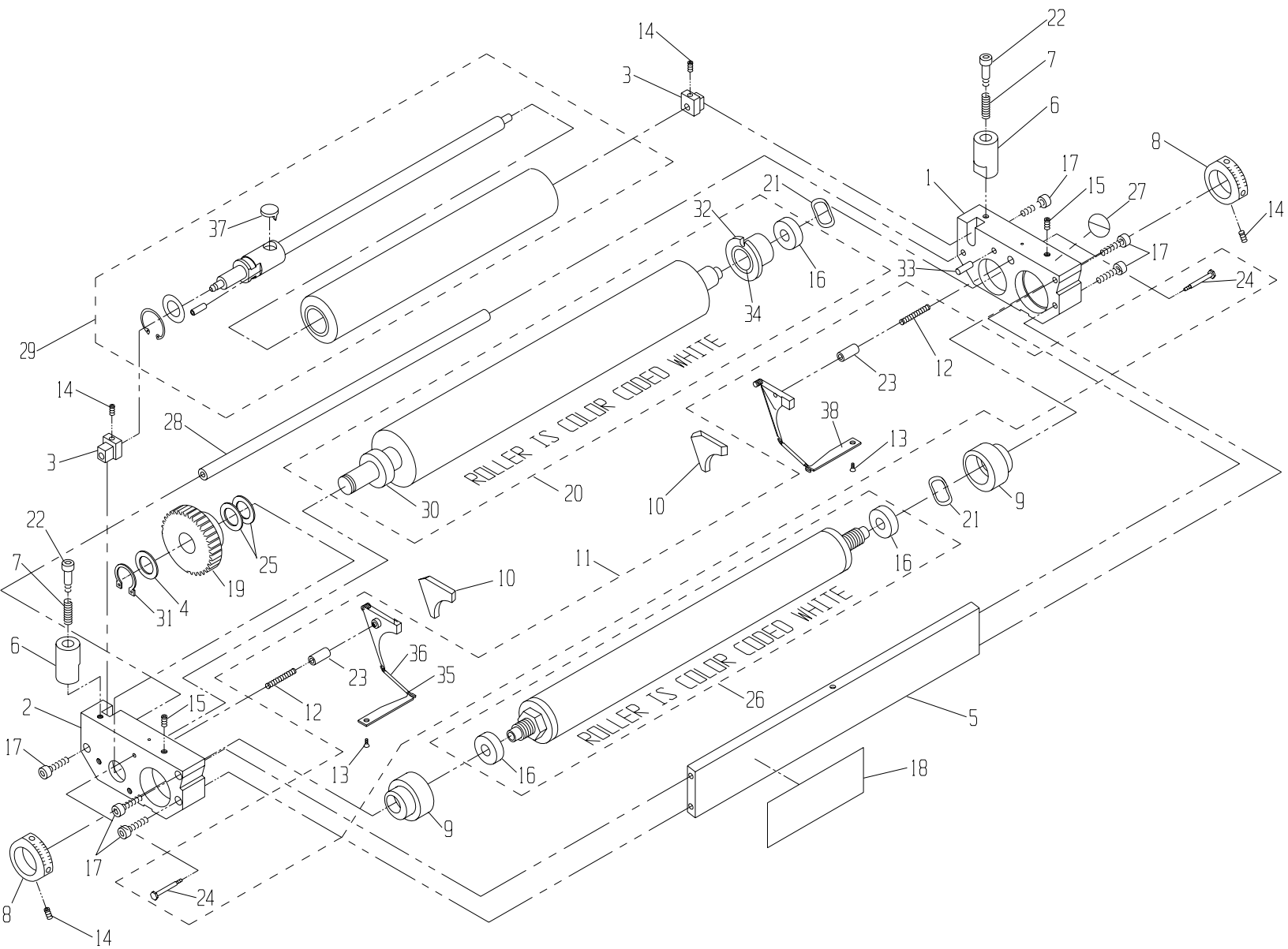
234A, 234A (with RRM Module)

Kompac Technologies, LLC
7 Commerce Street
Somerville, NJ 08876
P: (800) 541-5702 (Toll Free U.S. & Canada)
P: (908) 534-8411
F: (908) 534-8412
info@kompactech.com
www.kompactech.com

Last updated March 2010

HMD-234A (U.S.) PARTS CATALOG
P/N 094172

| REV | DESCRIPTION | ECN | BY | DATE |
|-----|--------------------|-----|------|---------|
| - | PRODUCTION RELEASE | - | P.M. | 4-14-05 |



* PART IS INCLUDED IN OUTLINED SUBASSEMBLY.

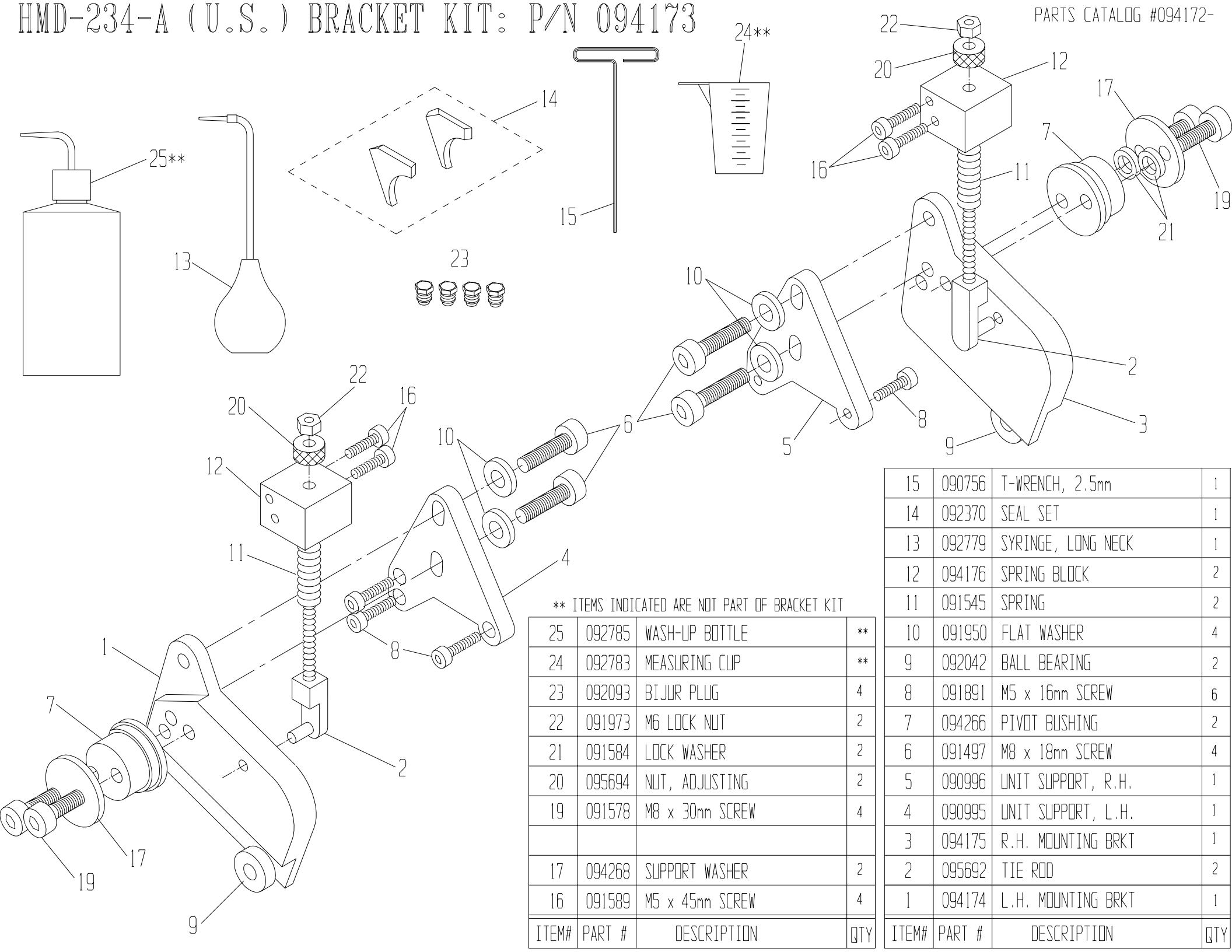
| ITEM# | PART # | DESCRIPTION | QTY |
|-------|--------|------------------------------|-----|
| | | | |
| 38 | 090971 | TAB, SHORT | * |
| 37 | 091111 | OSC. DRIVE SHAFT FOLLOWER | * |
| 36 | 092259 | SPRING COVER | * |
| 35 | 092236 | TAB SPRING | * |
| 34 | 092056 | CLUTCH | 1 |
| 33 | 095108 | DOWEL PIN | 1 |
| 32 | 094251 | HOUSING, CLUTCH | 1 |
| 31 | 091662 | RETAINING RING | 1 |
| 30 | 092586 | BEARING | * |
| 29 | 091317 | 13-1/2 OSC. ROLL. PARTS ASSY | 1 |

| | | | |
|----|--------|-----------------------------|---|
| 28 | 094258 | TIE ROD | 1 |
| 27 | 092601 | SAFETY STICKER | 1 |
| 26 | 094275 | 13-1/2" METERING ROLLER W/B | 1 |
| 25 | 091623 | WASHER | 2 |
| 24 | 092296 | SHOULDER SCREW | * |
| 23 | 092304 | GUIDE PIN | * |
| 22 | 091708 | SHOULDER SCREW, 6mm | 2 |
| 21 | 092491 | WAVE WASHER | 2 |
| 20 | 094271 | 13-1/2" FORM ROLLER W/B | 1 |
| 19 | 094255 | GEAR CLUTCH ASSY | 1 |
| 18 | 090984 | I.D. STICKER (HAMADA) | 1 |
| 17 | 091898 | M5 x 35mm SOC. HD. SCREW | 6 |
| 16 | 092401 | BEARING | * |
| 15 | 091904 | M5 x 16mm SET SCREW | 2 |

| | | | |
|----|--------|----------------------------|---|
| 14 | 091888 | M5 x 5mm SET SCREW | 4 |
| 13 | 091901 | M3 x 6mm SOC HD SCREW | * |
| 12 | 092238 | COMPRESSION SPRING | * |
| 11 | 090970 | BACKING PLATE KIT (HAMADA) | 1 |
| 10 | 092370 | SEAL SET (L & R) | 1 |
| 9 | 092291 | ECCENTRIC | 2 |
| 8 | 092612 | METERING GAUGE | 2 |
| 7 | 092007 | SPRING, COMPRESSION | 2 |
| 6 | 094991 | OSCILLATOR POST | 2 |
| 5 | 094259 | TIE BAR | 1 |
| 4 | 091966 | WASHER, FLAT | 1 |
| 3 | 090985 | ALIGNMENT BLOCK | 2 |
| 2 | 094256 | L.H. END FRAME | 1 |
| 1 | 094257 | R.H. END FRAME | 1 |

HMD-234-A (U.S.) BRACKET KIT: P/N 094173

PARTS CATALOG #094172-



** ITEMS INDICATED ARE NOT PART OF BRACKET KIT

| 25 | 092785 | WASH-UP BOTTLE | ** |
|-------|--------|-----------------|-----|
| 24 | 092783 | MEASURING CUP | ** |
| 23 | 092093 | BIJUR PLUG | 4 |
| 22 | 091973 | M6 LOCK NUT | 2 |
| 21 | 091584 | LOCK WASHER | 2 |
| 20 | 095694 | NUT, ADJUSTING | 2 |
| 19 | 091578 | M8 x 30mm SCREW | 4 |
| | | | |
| 17 | 094268 | SUPPORT WASHER | 2 |
| 16 | 091589 | M5 x 45mm SCREW | 4 |
| ITEM# | PART # | DESCRIPTION | QTY |

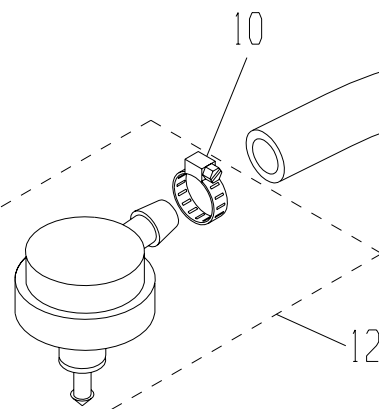
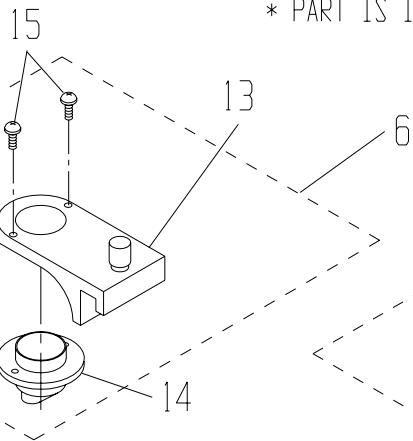
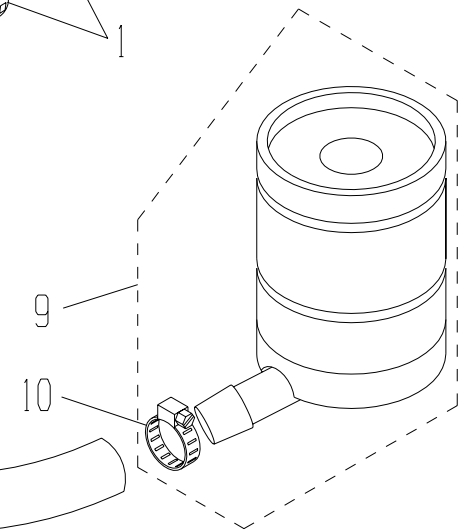
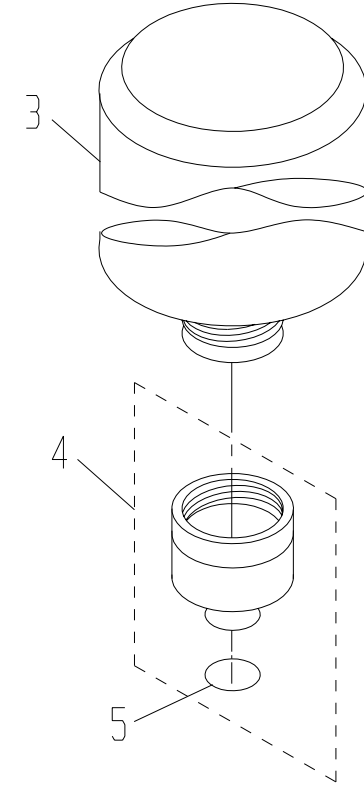
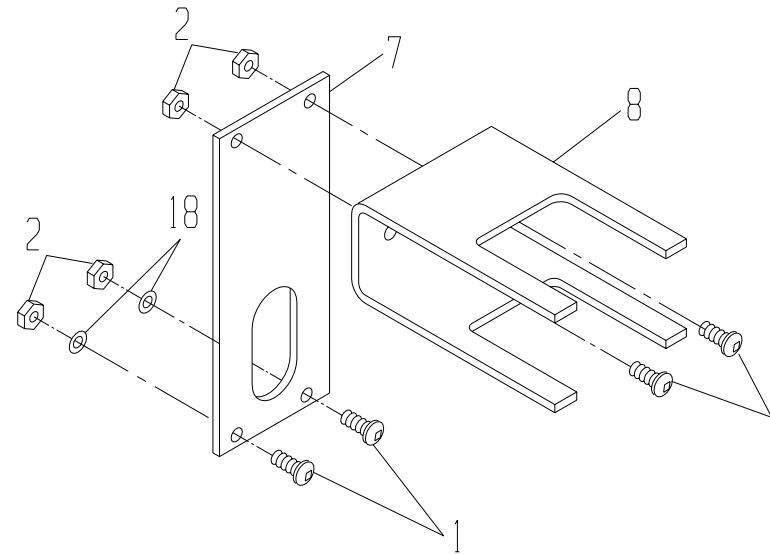
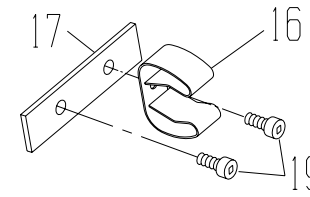
| 15 | 090756 | T-WRENCH, 2.5mm | 1 |
|-------|--------|--------------------|-----|
| 14 | 092370 | SEAL SET | 1 |
| 13 | 092779 | SYRINGE, LONG NECK | 1 |
| 12 | 094176 | SPRING BLOCK | 2 |
| 11 | 091545 | SPRING | 2 |
| 10 | 091950 | FLAT WASHER | 4 |
| 9 | 092042 | BALL BEARING | 2 |
| 8 | 091891 | M5 x 16mm SCREW | 6 |
| 7 | 094266 | PIVOT BUSHING | 2 |
| 6 | 091497 | M8 x 18mm SCREW | 4 |
| 5 | 090996 | UNIT SUPPORT, R.H. | 1 |
| 4 | 090995 | UNIT SUPPORT, L.H. | 1 |
| 3 | 094175 | R.H. MOUNTING BRKT | 1 |
| 2 | 095692 | TIE ROD | 2 |
| 1 | 094174 | L.H. MOUNTING BRKT | 1 |
| ITEM# | PART # | DESCRIPTION | QTY |

HMD-234A BOTTLE KIT: P/N 094270

PARTS CATALOG #094172

| | | | |
|-------|--------|-----------------------------|-----|
| 19 | 091891 | M5 x 16mm SCREW | 2 |
| 18 | 091978 | M5 FLAT WASHER | 2 |
| 17 | 098055 | PLATE, BACKING, PLUG | 1 |
| 16 | 091672 | SPRING CLIP | 1 |
| 15 | 091907 | #6-32 X 3/8 PHILLIPS HD SCW | * |
| 14 | 092604 | NOZZLE | * |
| 13 | 094997 | BRACKET, NOZZLE | * |
| 12 | 092750 | ADAPTER BASE ASSY | 1 |
| 11 | 092756 | 1/2" VINYL TUBING | 1 |
| 10 | 091911 | CLAMP, ADJUSTABLE | * |
| 9 | 092740 | BOTTLE VALVE ASSY | 1 |
| 8 | 092749 | UNIVERSAL BOTTLE BRACKET | 1 |
| 7 | 092748 | UNIVERSAL BRACKET | 1 |
| 6 | 098750 | BRACKET NOZZLE ASSEMBLY | 1 |
| 5 | 092765 | DISPENSING VALVE O-RING | * |
| 4 | 092760 | DISPENSING VALVE ASSY | 1 |
| 3 | 092771 | ROUND CALIBRATED BOTTLE | 1 |
| 2 | 091752 | M5 NUT | 4 |
| 1 | 091765 | M5 x 12mm SCREW | 4 |
| ITEM# | PART # | DESCRIPTION | QTY |

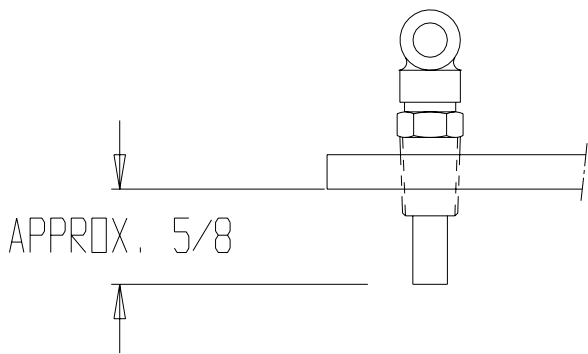
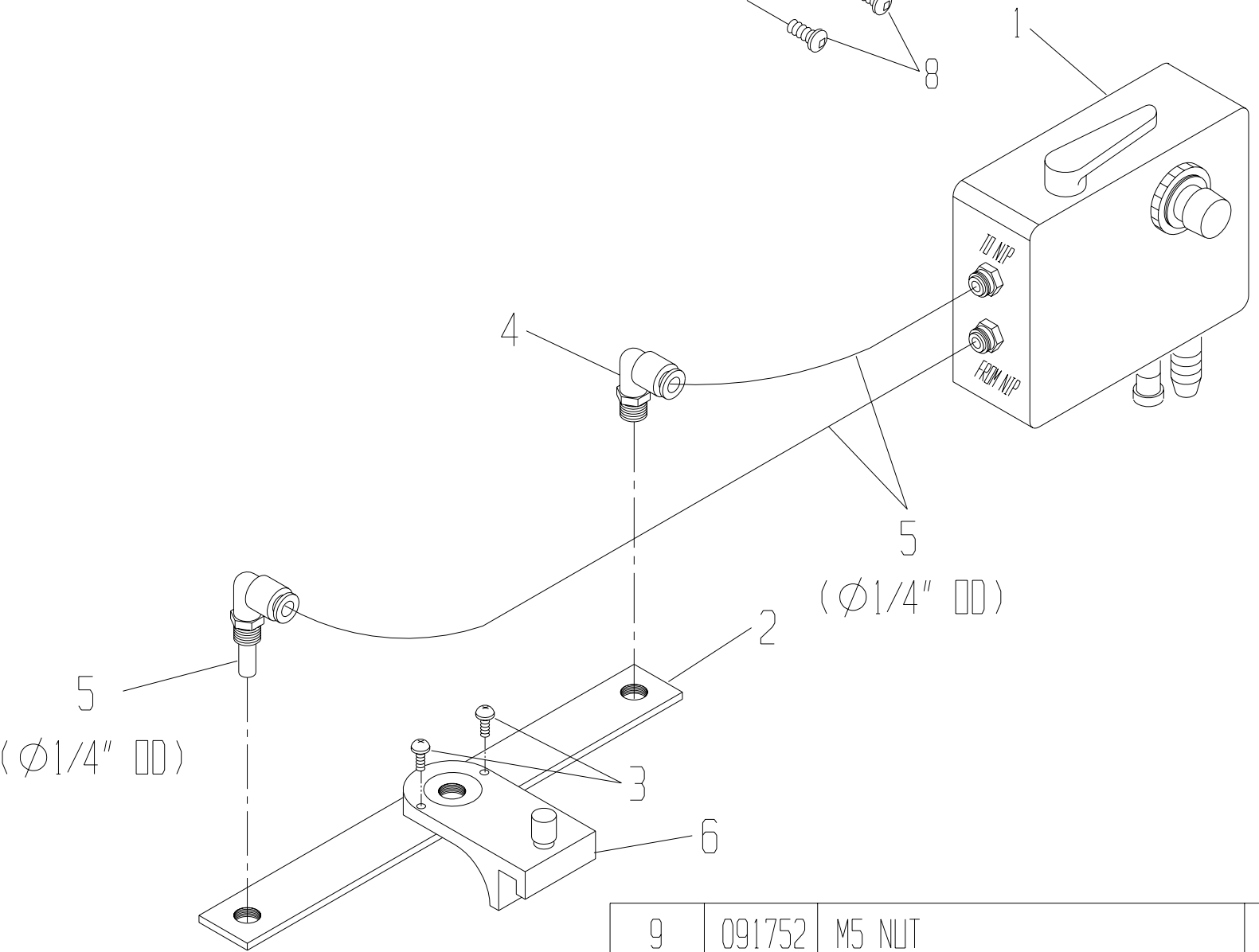
* PART IS INCLUDED WITH OUTLINED SUBASSEMBLY.



HMD-234-A HOSE KIT

P/N 094274

PARTS CATALOG #094172



CUT TUBING ITEM #5 TO LENGTH AT INSTALLATION.

| 9 | 091752 | M5 NUT | 2 |
|-------|--------|-----------------------------|-----|
| 8 | 091765 | M5 x 12mm SCREW | 2 |
| 6 | 094997 | BRACKET, NOZZLE | 1 |
| 5 | 091127 | TUBING (5 FT LG.) | 5 |
| 4 | 094916 | ELBOW | 2 |
| 3 | 091907 | #6-32 X 3/8 PHILLIPS HD SCW | 2 |
| 2 | 094736 | BRACKET, NOZZLE, HOSES | 1 |
| 1 | 094730 | RECIRCULATOR ASSY | 1 |
| ITEM# | PART # | DESCRIPTION | QTY |