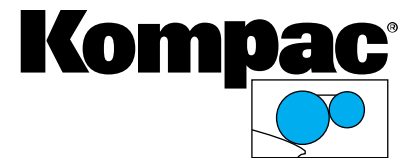


Kompac[®]



Date of Installation: _____

Unit Serial Number: _____

GST12

Parts Catalog #90224 (Rev. A)

Gestetner Press Models:

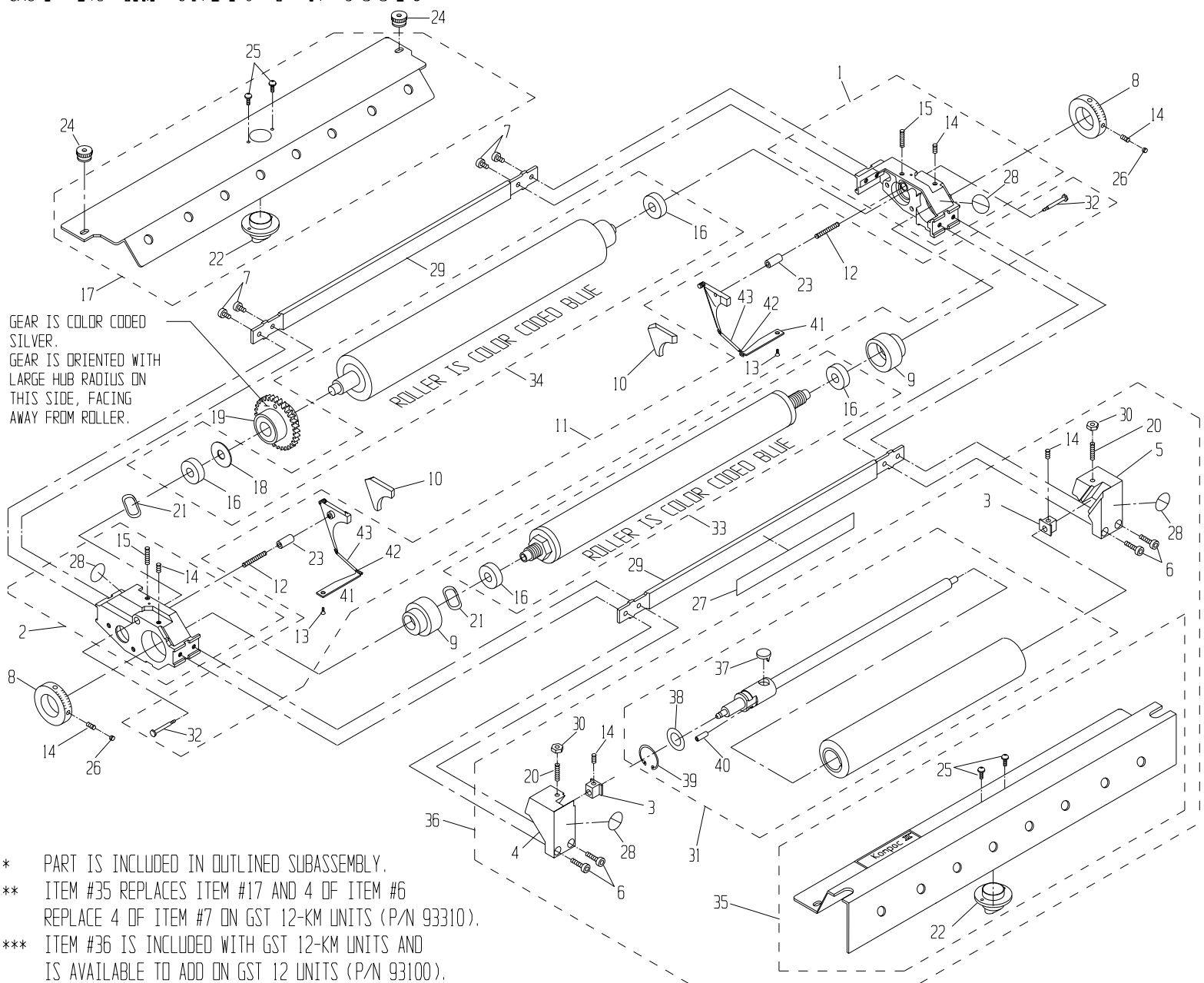
312

Kompac Technologies, LLC
7 Commerce Street
Somerville, NJ 08876
P: (800) 541-5702 (Toll Free U.S. & Canada)
P: (908) 534-8411
F: (908) 534-8412
info@kompactech.com
www.kompactech.com

Last updated March 2010

GST 12 UNIT: P/N 93100
 GST 12-KM UNIT: P/N 93310

PARTS CATALOG #90224



* PART IS INCLUDED IN OUTLINED SUBASSEMBLY.
 ** ITEM #35 REPLACES ITEM #17 AND 4 OF ITEM #6
 REPLACE 4 OF ITEM #7 ON GST 12-KM UNITS (P/N 93310).
 *** ITEM #36 IS INCLUDED WITH GST 12-KM UNITS AND
 IS AVAILABLE TO ADD ON GST 12 UNITS (P/N 93100).

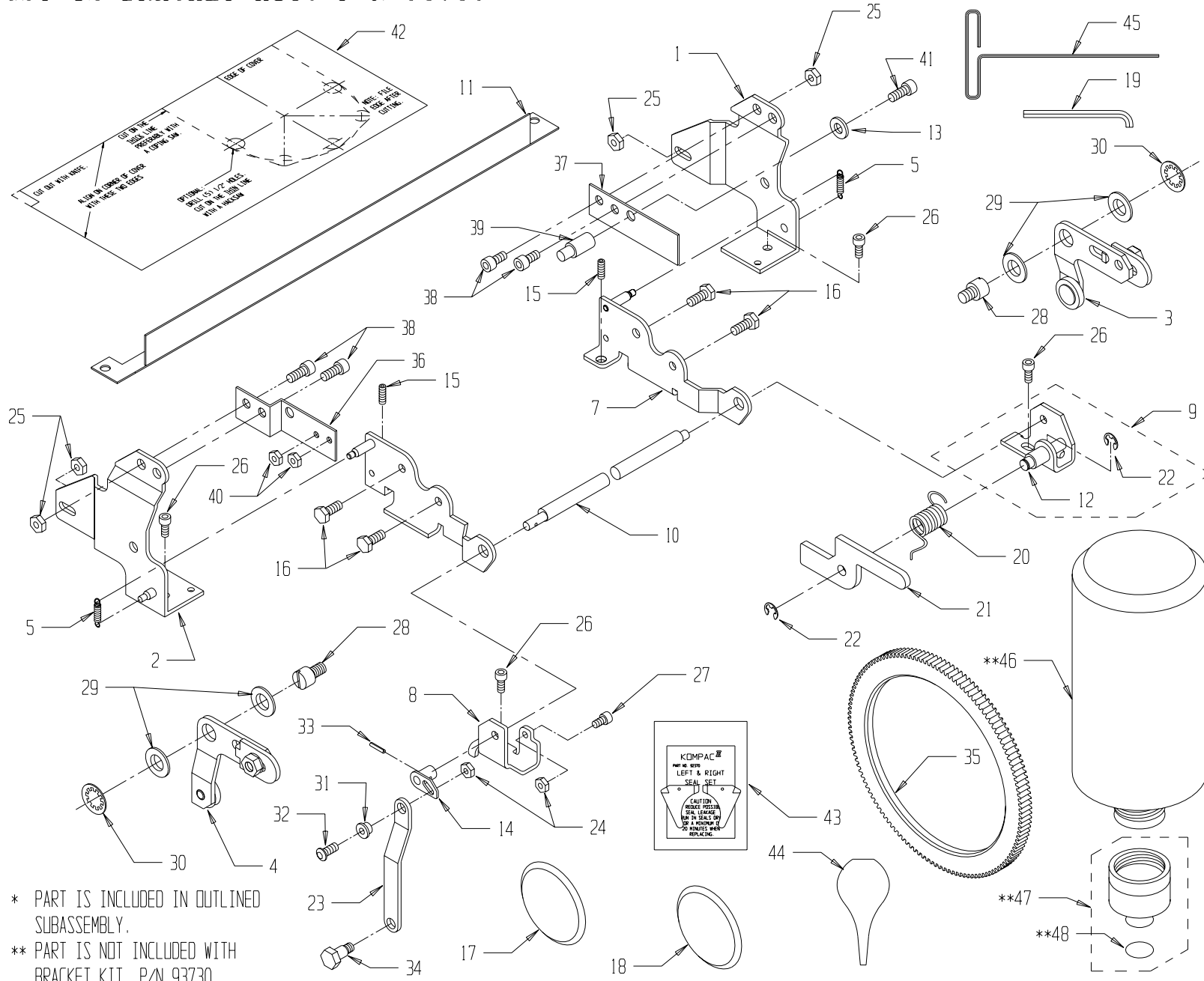
43	92259	SPRING COVER	*
42	92236	BACKING PLATE TAB SPRING	*
41	92234	BACKING PLATE TAB	*
40	91949	SPRING PIN	*
49	91997	OSC. RETAINING CLIP	*
48	91965	OSC. RETAINING WASHER	*
37	91111	OSC. DRIVE SHAFT FOLLOWER	*
36	96520	KOLORMATE MODEL 20	***
35	91320	11" OSC COVER ASSY	**
34	92410	11" FORM ROLLER W/B	1
33	92400	11" METERING ROLLER W/B	1
32	92303	SHOULDER SCREW	*
31	91302	11" OSC. PARTS ASSY	1
ITEM#	PART #	DESCRIPTION	QTY

30	91982	#10-32 NUT	2
29	92492	11" TIE BAR	2
28	92601	INWARD NIP SYMBOL	2*
27	92494	WARNING DECAL	1
26	91810	#10-24 X 1/8 SLOT SET SCW	2
25	91806	#6-32 X 3/8 PHILLIPS HD SCW	*
24	92691	COVER NUT	2
23	92304	GUIDE PIN	*
22	92604	NOZZLE	*
21	92491	WAVE WASHER	2
20	91851	#10-32 x 1 SET SCREW	2
19	92850	GEAR CLUTCH ASSY	1
18	92415	THRUST WASHER	*
17	92600	11" COVER ASSEMBLY	**
16	92401	BEARING	*
ITEM#	PART #	DESCRIPTION	QTY

15	91814	#10-24 X 3/4 STUD	*
14	91811	#10-24 X 1/4 SET SCREW	4*
13	91802	#3-48 X 1/4 FLAT HD SCREW	*
12	92238	COMPRESSION SPRING	*
11	92290	BACKING PLATE KIT (L & R)	1
10	92370	SEAL SET (L & R)	1
9	92291	ECCENTRIC	2
8	92222	METERING GAUGE	2
7	91818	#10-24 x 3/8 SOCKET HD SCREW	8**
6	91829	#10-24 x 11/16 SDC HD SCREW	4**
5	91017	R.H. OSC. END BLOCK	1
4	91018	L.H. OSC. END BLOCK	1
3	91219	ALIGNMENT BLOCK	2
2	92210	L.H. END FRAME ASSY	1
1	92200	R.H. END FRAME ASSY	1
ITEM#	PART #	DESCRIPTION	QTY

GST 12 BRACKET KIT: P/N 93730

PARTS CATALOG #90224



* PART IS INCLUDED IN OUTLINED SUBASSEMBLY.
 ** PART IS NOT INCLUDED WITH BRACKET KIT, P/N 93730

48	92765	O-RING	*	32	91819	10-24 x 1/2 BUTTON HEAD SCW	1	16	91868	1/4-20 x 3/4 HEX HEAD SCREW	4
47	92760	DISPENSING VALVE ASSY	**	31	93754	ATF LOCKOUT BUSHING	1	15	91850	10-32 x 1/2 SET SCREW	2
46	92771	CALIBRATED BOTTLE	**	30	91747	CIRCULAR PUSH-ON WASHER	2	14	93710	ATF LEVER ASSY	1
45	90755	3/32" T-WRENCH	1	29	91739	.442 x .750 WASHER	4	13	91962	#12 WASHER	1
44	92778	KOMPAC SYRINGE	1	28	90934	THREADED STUD	2	12	93623	PAWL SUPPORT BOLT	*
43	92370	KOMPAC SEAL SET (L & R)	1	27	91818	10-24x3/8 SOCKET HD CAP SCW	1	11	93707	PINCH GUARD	1
42	94151	SFTY COVER TEMPLATE, GST 13	1	26	91875	1/4-20x3/8 SOCKET HD CAP SCW	4	10	93751	ATF ECCENTRIC SHAFT	1
41	91895	1/4-28x1/2 SOCKET HD CAP SCW	1	25	91972	1/4-20 LOCK NUT	4	9	93686	R.H. PIVOT BRACKET ASSY	1
40	91967	8-32 LOCK NUT	2	24	91968	10-24 LOCK NUT	2	8	93685	L.H. PIVOT BRACKET ASSY	1
39	93515	SAFETY COVER PIN	1	23	93518	GESTETNER LOCKOUT LINK	1	7	93758	R.H. MOUNTING BRACKET ASSY	1
38	91876	1/4-20x1/2 SOCKET HD CAP SCW	4	22	91994	5/16" E-RING	1*	6	93757	L.H. MOUNTING BRACKET ASSY	1
37	93516	L.H. SAFETY COVER BRACKET	1	21	93621	PLATE CLAMP PAWL	1	5	93553	EXTENSION SPRING	2
36	93517	R.H. SAFETY COVER BRACKET	1	20	93626	PLATE CLAMP SPRING	1	4	90930	OP-SIDE LIFT LINK ASSY	1
35	92855	PLATE CYLINDER GEAR	1	19	93708	3/16" ALLEN WRENCH	1	3	90940	NON-OP SIDE LIFT LINK ASSY	1
34	93519	GESTETNER LOCKOUT PIN	1	18	93749	2" DIA. HOLE PLUG	1	2	93687	L.H. INKER BRACKET	1
33	91940	3/32 x 1/2 ROLL PIN	1	17	93748	2-1/8" DIA. HOLE PLUG	1	1	93688	R.H. INKER BRACKET	1
ITEM#	PART #	DESCRIPTION	QTY	ITEM#	PART #	DESCRIPTION	QTY	ITEM#	PART #	DESCRIPTION	QTY