

Date of Installation : _____

Unit Serial Number : _____

Kompac Dealer : _____

Kompac®



A DIVISION OF DAY INTERNATIONAL, INC.



DAY INTERNATIONAL, INC.

Image Transfer Group

Kompac



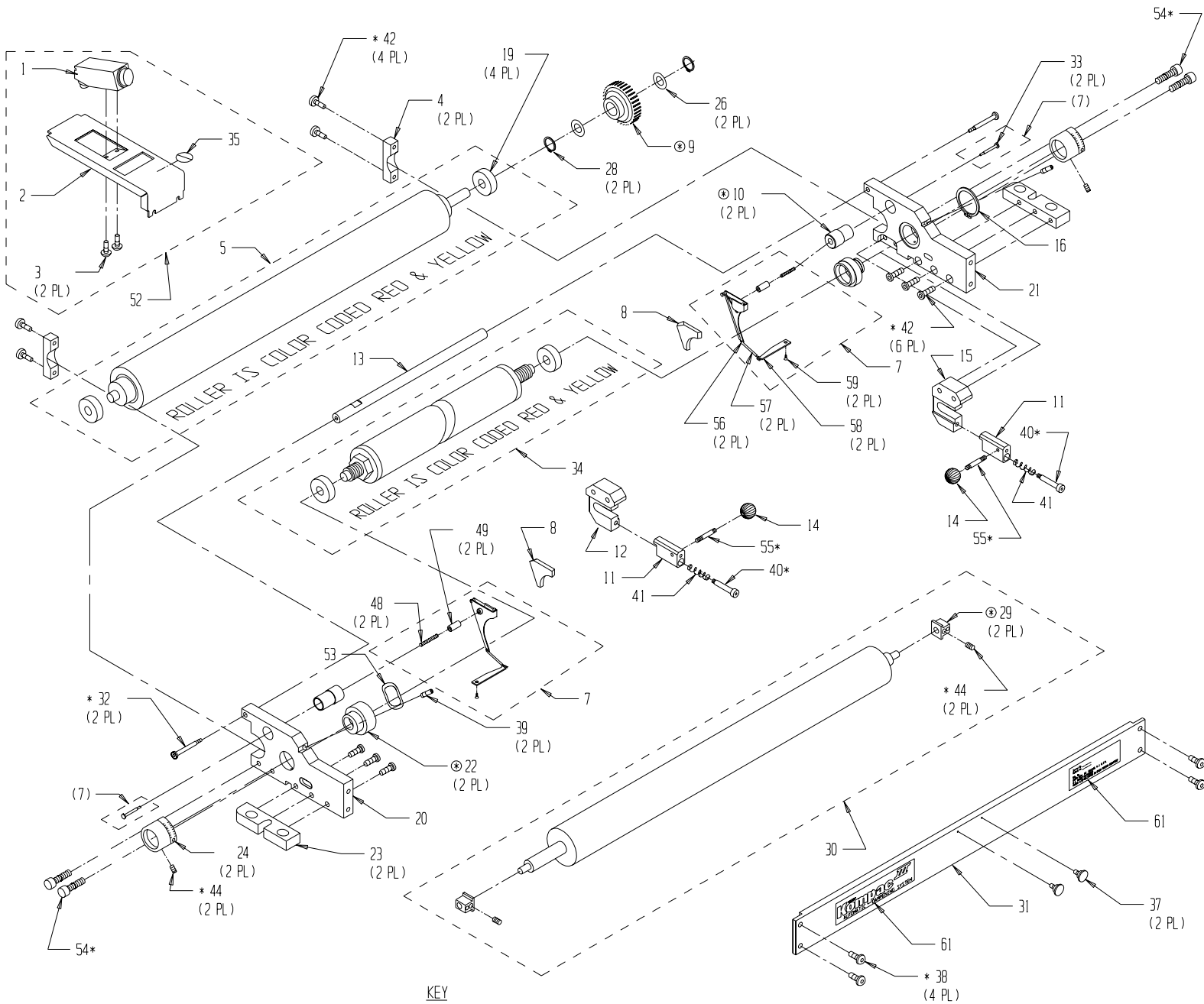
AD - 506

Parts Catalog # 090442

159 DWIGHT PLACE , FAIRFIELD , NEW JERSEY 07004

TEL: 973-227-8611 / 800-541-5702

FAX: 973-227-7532



KEY

* USE LOCTITE (BRACKET KIT ITEM, P/N 092061).

⊗ GREASE MOVING PARTS PRIOR TO ASSEMBLY.

*** ITEM IS INCLUDED WITH OUTLINED SUBASSEMBLY.

ITEM	PART #	DESCRIPTION	QTY.
61.	098026	LABELS, TIE PLATE	1
59.	091760	M4 x 10mm SOCKET HEAD CAP SCW	***
58.	092234	TAB	***
57.	092259	TAB SPRING COVER	***
56.	092236	TAB SPRING	***
55.	091417	THREADED STUD, SHORT	2
54.	092129	M6 x 25mm LOW HD SDC SCREW	4
53.	091772	WAVE SPRING (32mm)	1
52.	099330	AD 500 NOZZLE COVER ASSEMBLY	1
49.	092304	GUIDE PIN	***
48.	092242	COMPRESSION SPRING	***
44.	091888	M5 x 5mm SOCKET HEAD SET SCW	2
42.	091761	M6 x 18mm SOCKET HEAD CAP SCW	10
41.	095698	SPRING, COMPRESSION	2

ITEM	PART #	DESCRIPTION	QTY.
40.	091708	M6 X 30mm SHOULDER SCREW	2
39.	091889	M5 x 10mm SOCKET HEAD SET SCW	2
38.	091766	M6 x 12mm BUTTON HEAD CAP SCW	4
37.	092062	M5 THUMB SCREW	2
35.	092601	SAFETY STICKER	***
34.	092580	MET. ROLLER ASSY W/BEARINGS	1
33.	092303	SEAL PLATE SHOULDER SCREW	***
32.	091711	M6 x 10mm SHOULDER SCREW	2
31.	092487	TIE PLATE	1
30.	091470	OSCILLATOR	1
29.	092174	METRIC ALIGNMENT BLOCK	***
28.	091662	12mm RETAINING RING	2
26.	091966	SPACER WASHER, .875 x .478	2
24.	092612	METERING GAUGE	2
23.	092178	ATTACHMENT BLOCK	2
22.	092175	ECCENTRIC, METERING ROLLER	2
21.	092177	OP SIDE 515 FRAME	1

ITEM	PART #	DESCRIPTION	QTY.
20.	092176	NON-OP SIDE 515 FRAME	1
19.	092586	BEARING, BALL (6201)	***
16.	091660	RETAINING RING (Ø 1")	1
15.	091572	OSC.MTG. BLOCK, OP-SIDE	1
14.	092055	BALL KNOB	2
13.	092617	TIE ROD	1
12.	091571	OSC.MTG. BLOCK, NOP-SIDE	1
11.	095697	CLAMP, OSCILLATOR	2
10.	092292	BACKING PLATE STANDOFF	2
9.	090860	FORM GEAR ASSEMBLY	1
8.	090850	KIII SEAL SET (R.H. & L.H.)	1
7.	090870	SEAL BACKING PLATE KIT	1
5.	090840	FORM ROLLER ASSY W/ BEARINGS	1
4.	092179	BEARING CLAMP, FORM ROLLER	2
3.	091806	6-32 X 3/8" PHIL. HEAD SCREW	***
2.	092605	NOZZLE BRACKET	***
1.	092700	NOZZLE ASS'Y	***

ITEM	PART #	DESCRIPTION	QTY.
------	--------	-------------	------