

| 51 | 091773 | SCREW, M6 X 12 | 4 |
|-------|--------|--------------------------------|-----|
| 50 | 091424 | RETAINER OSC RH | 1 |
| 49 | 091423 | RETAINER, OSC, LH | 1 |
| 48 | 092259 | SPRING COVER | 2 |
| 47 | 092236 | TAB SPRING | 2 |
| 45 | 092601 | SAFETY STICKER (INWARD NIP) | 3 |
| 44 | 098026 | LABELS, TIE PLATE | 1 |
| 43 | 092055 | BALL KNOB (10-32) | 4 |
| 42 | 091417 | THREADED STUD, SHRT (M5/10-32) | 4 |
| 41 | 091889 | M5 x .8 x 10mm SET SCREW | 3 |
| 40 | 091888 | M5 x .8 x 5mm SET SCREW | 6 |
| 39 | 091909 | M5 x 4mm SLOTTED SET SCREW | 2 |
| 38 | 091786 | SCREW, M6 x 25mm, CAP | 2 |
| 37 | 091761 | M6 x 1 x 18mm CAP SCREW | 8 |
| 36 | 091785 | SCREW, M6 x 14mm, CAP | 4 |
| 35 | 091891 | M5 x 16mm CAP SCREW | 8 |
| 34 | 091760 | M4 x 0.7 x 10mm CAP SCREW | * |
| ITEM# | PART# | DESCRIPTION | QTY |

| 32 | 091708 | M6 SHOULDER SCREW (30mm LG) | 2 |
|-------|--------|--------------------------------|-----|
| 31 | 092303 | SEAL PLATE SHOULDER SCREW | * |
| 30 | 091981 | M4 FLAT WASHER | 2 |
| 29 | 091784 | WASHER, 1.353x.988x.078 | 1 |
| 28 | 091783 | WASHER, WAVE, 35mm | 2 |
| 27 | 092007 | SPRING, COMPRESSION | 2 |
| 26 | 092242 | COMPRESSION SPRING (BKG PLATE) | * |
| 25 | 092304 | GUIDE PIN | * |
| 24 | 091406 | SPRING PLATE | * |
| 23 | 091407 | BACKING PLATE STANDOFF | 2 |
| 22 | 095697 | CLAMP, OSCILLATOR | 2 |
| 21 | 092174 | METRIC ALIGNMENT BLOCK | 2 |
| 20 | 098007 | ECCENTRIC, BRKT, NOZZLE, UNIT | 1 |
| 19 | 098008 | ECCENTRIC BRACKET, NOZZLE BKT | 2 |
| 18 | 098009 | BLOCK, ADJUSTMENT, TIE PLATE | 2 |
| 16 | 098025 | GAUGE, METERING, 35mm BEARING | 2 |
| ITEM# | PART# | DESCRIPTION | QTY |

| 15 | 098024 | ECCENTRIC, M/R, 35mm BEARING | 2 |
|-------|--------|--------------------------------|-----|
| 14 | 098005 | BRACKET, ATTACHMENT, UNIT, RH | 1 |
| 13 | 098006 | BRACKET, ATTACHMENT, UNIT, LH | 1 |
| 12 | 098004 | TIE ROD, UNIT | 1 |
| 11 | 098003 | TIE PLATE | 1 |
| 10 | 092083 | BEARING, 15x35x11mm (6202) | * |
| 9 | 095522 | GEAR, KOMPAC, AD-705 | 1 |
| 8 | 090850 | R.H. & L.H. SEAL SET | 1 |
| 7 | 091450 | SEAL BACKING PLATE KIT (L & R) | 1 |
| 6 | 098001 | SIDEFAME, UNIT, R.H. | 1 |
| 5 | 098002 | SIDEFAME, UNIT, L.H. | 1 |
| 3 | 098155 | OSCILLATOR, KMD-65 | 1 |
| 2 | 098186 | ASSY, METERING ROLLER | 1 |
| 1 | 098630 | ASSY, FORM ROLLER | 1 |
| ITEM# | PART# | DESCRIPTION | QTY |

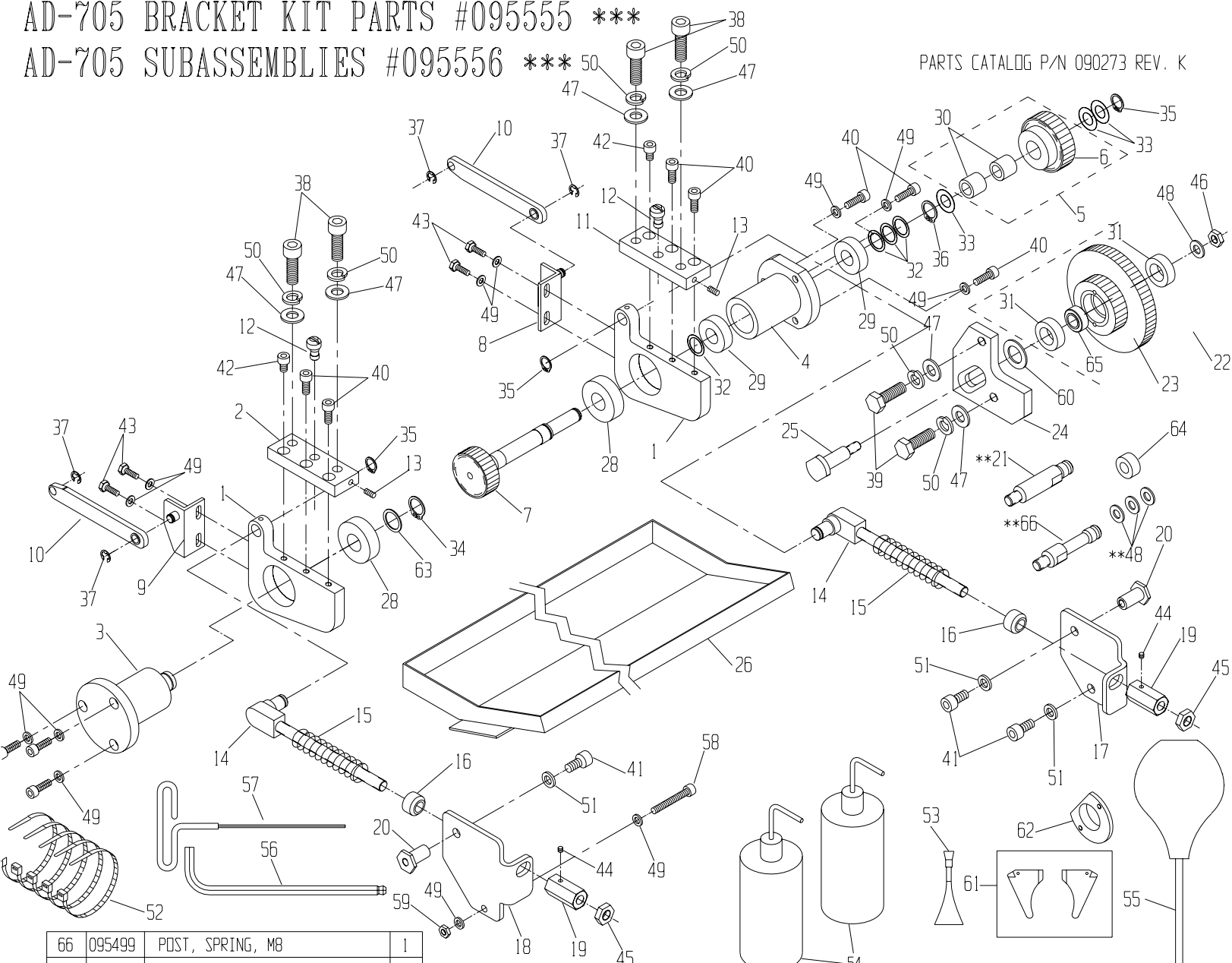
* PART IS INCLUDED WITH OUTLINED SUBASSEMBLY

** ITEMS 2 AND 21 NOT INCLUDED WITH THIS P/N

AD-705 BRACKET KIT PARTS #095555 ***

AD-705 SUBASSEMBLIES #095556 ***

PARTS CATALOG P/N 090273 REV. K



| 66 | 095499 | POST, SPRING, M8 | 1 |
|------|--------|---------------------------------|-----|
| 65 | 095591 | SPACER, GEAR/BEARING | * |
| 64 | 092064 | SPACER, Ø.625 X Ø.398 X .394 | 1 |
| 63 | 091626 | WASHER, Ø.871 X Ø.673 X .02 | 1 |
| 62 | 095557 | PLATE, BEARING | 1 |
| 61 | 090850 | SEAL SET, KIII | 1 |
| 60 | 091977 | SPACER, .48 X .79 X .06 | 1 |
| 59 | 091973 | M6 X 1 NUT (LOCK) | 1 |
| 58 | 091592 | SCREW, M6 X 40mm SDC HD CAP | 1 |
| 57 | 090756 | 2.5mm T-WRENCH | 1 |
| 56 | 090758 | 8mm BALL END ALLEN WRENCH | 1 |
| 55 | 092779 | ASSY, SYRINGE, LONG NECK | *** |
| 54 | 092774 | LONG NECK WASH UP BOTTLE | *** |
| 53 | 092061 | LOCTITE, 5ML | 1 |
| 52 | 092053 | NYLON CABLE TIE | 5 |
| 51 | 091638 | WASHER, BELLEVILLE, .331 X .512 | 3 |
| 50 | 091741 | M10 SPLIT LOCK WASHER | 6 |
| 49 | 091637 | WASHER, BELLEVILLE, .264 X .374 | 12 |
| 48 | 091950 | FLAT WASHER (M8) | 4 |
| 47 | 091976 | M10 FLAT WASHER | 6 |
| 46 | 091754 | M8 NUT, LOCKING | 1 |
| 45 | 091606 | NUT, THIN, M10 X 1.0 | 2 |
| 44 | 091546 | M4 X 6mm NYLON SET SCREW | 2 |
| ITEM | PART# | DESCRIPTION | QTY |

| 43 | 091605 | SCREW, M6 X 12mm HEX HD CAP | 4 |
|------|--------|-------------------------------|-----|
| 42 | 091591 | SCREW, M6 X 10mm SDC HD CAP | 2 |
| 41 | 091593 | M8 X 18mm LOW HD CAP SCREW | 3 |
| 40 | 091761 | M6 X 18mm CAP SCREW | 10 |
| 39 | 091604 | M10 X 40 HEX HD CAP SCREW | 2 |
| 38 | 091629 | SCREW, M10X30mm CAP SCREW | 4 |
| 37 | 092032 | E-RING, 7mm | 4 |
| 36 | 091993 | RETAINING RING, 15MM EXTERNAL | 1 |
| 35 | 091662 | 12mm RETAINING RING | 3 |
| 34 | 091628 | RETAINING RING, 17mm EXTERNAL | 1 |
| 33 | 091966 | SPACER WASHER, 12mm | 3 |
| 32 | 092019 | SPACER, .906 X .603 X .020 | 4 |
| 31 | 095536 | BEARING, 12X28X8mm (6001) | * |
| 30 | 092056 | 12mm CLUTCH BEARING | * |
| 29 | 098041 | BEARING, 15X32X9mm | 2 |
| 28 | 092084 | BEARING, 17X40X12mm (6203) | 2 |
| 26 | 095559 | PAN, DRIP | *** |
| 25 | 095518 | BOLT, SHOULDER, GEAR, AD-705 | 1 |
| 24 | 095519 | PLATE, MOUNTING, GEAR | 1 |
| 23 | 095529 | GEAR, 64/30 TEETH | * |
| 22 | 095545 | ASSY, 64/30T GEAR & BEARING | 1 |
| ITEM | PART# | DESCRIPTION | QTY |

| 21 | 095517 | POST, SPRING, AD-705 | 1 |
|------|--------|-------------------------------|-----|
| 20 | 095515 | SPACER, THREADED, AD-705 | 2 |
| 19 | 095514 | NUT, ADJUSTING, AD-705 | 2 |
| 18 | 095509 | BRACKET, STRIPE ROD, NDP SIDE | 1 |
| 17 | 095512 | BRACKET, STRIPE ROD, DP SIDE | 1 |
| 16 | 095516 | RETAINER, SPRING ROD | 2 |
| 15 | 095535 | SPRING, COMPRESSION | 2 |
| 14 | 095513 | ROD, SPRING, AD-705 | 2 |
| 13 | 091889 | M5 X 10mm SOCKET SET SCREW | 2 |
| 12 | 091511 | ADJUSTMENT ECCENTRIC | 2 |
| 11 | 095504 | BLOCK, MOUNTING, DP SIDE | 1 |
| 10 | 095523 | LINK, CONNECTING | 2 |
| 9 | 095542 | ASSY, BRACKET & LINK, NON-DP | 1 |
| 8 | 095543 | ASSY, BRACKET & LINK, DP | 1 |
| 7 | 095531 | GEAR & DRIVE SHAFT, AD-705 | 1 |
| 6 | 095528 | GEAR, CLUTCH, AD-705 | * |
| 5 | 095544 | ASSY, GEAR CLUTCH & BEARING | 1 |
| 4 | 095525 | HOUSING, BEARING, AD-705 | 1 |
| 3 | 095524 | PIVOT BUSHING, NON-DP SIDE | 1 |
| 2 | 095503 | BLOCK, MOUNTING, NON-DP SIDE | 1 |
| 1 | 095505 | BRACKET, UNIT, AD-705 | 2 |
| ITEM | PART# | DESCRIPTION | QTY |

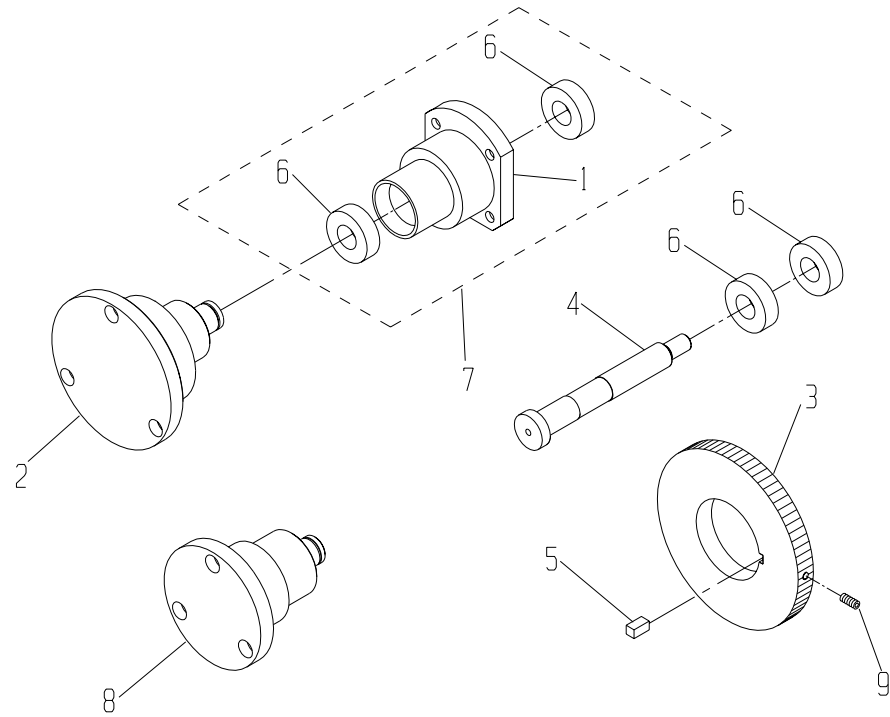
* PART IS INCLUDED WITH OUTLINED SUBASSEMBLY. ** REPLACE EXISTING SPRING POST WITH ITEM 21 AT FIRST HEAD, ITEM 66 ON ALL SUBSEQUENT HEADS

*** ITEMS 26, 54, 55 NOT INCLUDED IN THIS P/N. (3) ITEM 48 WITH EXISTING SPRING POST.

AD-705 DDBS BRACKET KIT PARTS UPGRADE: P/N 098154

PARTS CATALOG P/N 090273 REV. K

| 9 | 091904 | M5 X 16mm SET SCREW | 1 |
|-------|--------|---------------------------------|-----|
| 8 | 095534 | PIVOT BUSHING, INTERMEDIATE | 1 |
| 7 | 095547 | ASSY, HOUSING & BEARING, (DDBS) | 1 |
| 6 | 098041 | BEARING, 15X32X9mm (6002) | 2* |
| 5 | 095537 | KEY, 6 X 6 X 12mm | 1 |
| 4 | 095558 | SHAFT, STUB, (DDBS) | 1 |
| 3 | 095532 | GEAR TRANSFER, (DDBS) | 1 |
| 2 | 095527 | PIVOT BUSHING, NON DP, (DDBS) | 1 |
| 1 | 095526 | HOUSING, BEARING, (DDBS) | * |
| ITEM# | PART# | DESCRIPTION | QTY |



AD-705 POLLY-66 SERIES PNEUMATIC CAMS: P/N 095589 (2 REQUIRED)

