

**Kompac<sup>®</sup>**



Date of Installation: \_\_\_\_\_

Unit Serial Number: \_\_\_\_\_

## AB9875

### Parts Catalog #90202 (Rev. F)

#### AB Dick Press Models:

375, 375CD, 375QP, 375QPC, 375PRO  
9805, 9810, 9810XC, 9810XCS, 9815  
9820, 9835, 9840, 9850

With Plastic Safety Covers

Kompac Technologies, LLC  
7 Commerce Street  
Somerville, NJ 08876  
P: (800) 541-5702 (Toll Free U.S. & Canada)  
P: (908) 534-8411  
F: (908) 534-8412  
info@kompactech.com  
www.kompactech.com

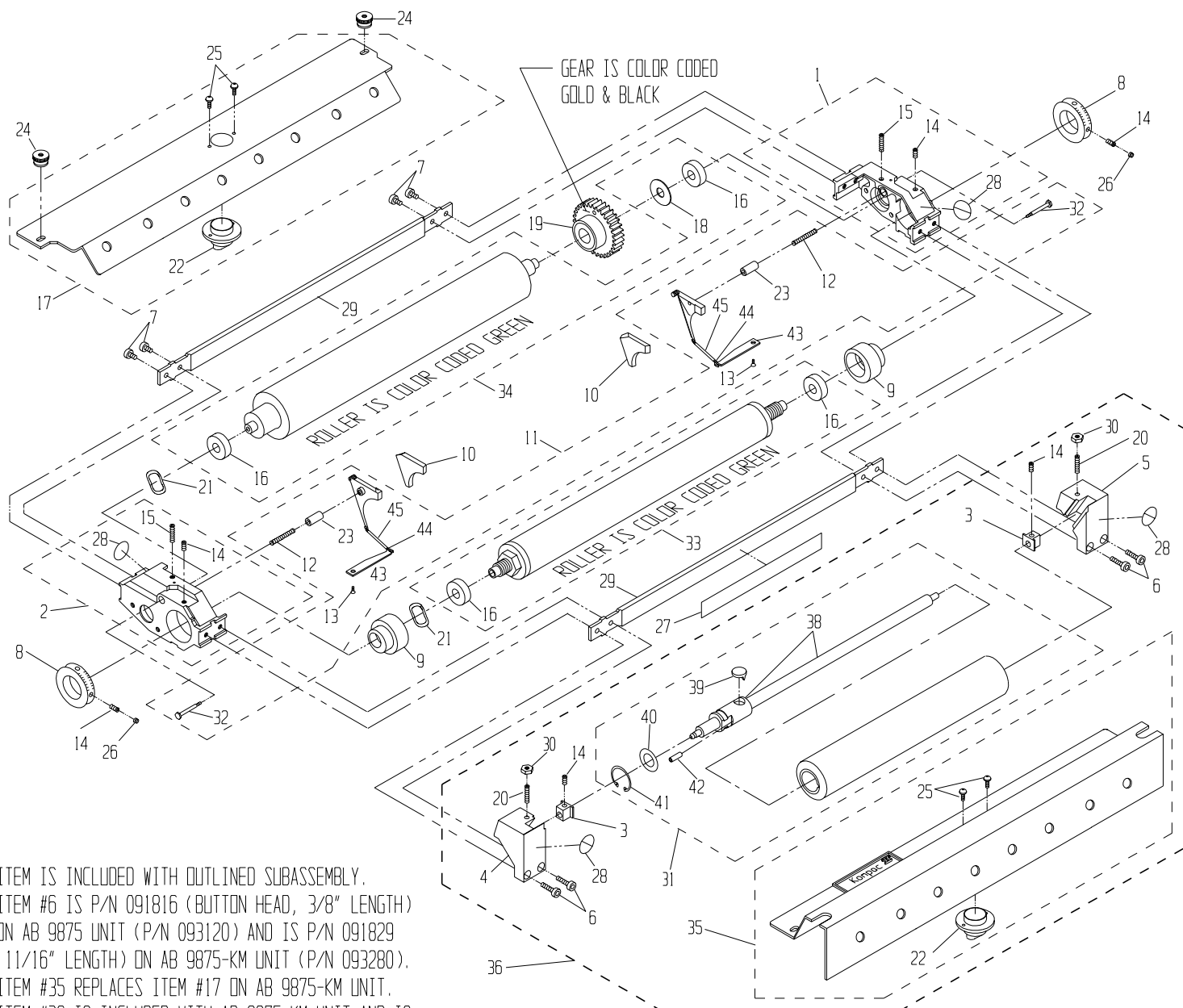
Last updated March 2010

# AB 9875 PARTS CATALOG

P/N 090202

REV	DESCRIPTION	ECN	BY	DATE
A	UPDATED TO NEW PARTS CATALOG FORMAT	1108	MJC	5-30-95
B	REPLACED (4) P/N 091818 WITH (4) P/N 091816 ON AB 9875 UNIT ASSY.	1182	MJC	4-25-96
C	REPLACED P/N 091306 WITH 081306. REMOVED OSCILLATOR ROLLER AND SHAFT FROM BOM.	1207	MJC	7-9-96
D	ADDED SHAFT ASSY S.S. 091261	1252	BS	1-31-97
E	91117 WAS 91111	1280	BS	5-02-97
F	UNIT, ITEM 31 P/N 091306 WAS 081306	1411	ZZ	6-30-98

AB 9875 UNIT: P/N 093120  
 AB 9875-KM UNIT: P/N 093280



\* ITEM IS INCLUDED WITH OUTLINED SUBASSEMBLY.

\*\* ITEM #6 IS P/N 091816 (BUTTON HEAD, 3/8" LENGTH) ON AB 9875 UNIT (P/N 093120) AND IS P/N 091829 (11/16" LENGTH) ON AB 9875-KM UNIT (P/N 093280).

\*\*\* ITEM #35 REPLACES ITEM #17 ON AB 9875-KM UNIT.

\*\*\*\* ITEM #36 IS INCLUDED WITH AB 9875-KM UNIT AND IS AVAILABLE TO ADD ON AB 9875 UNIT.

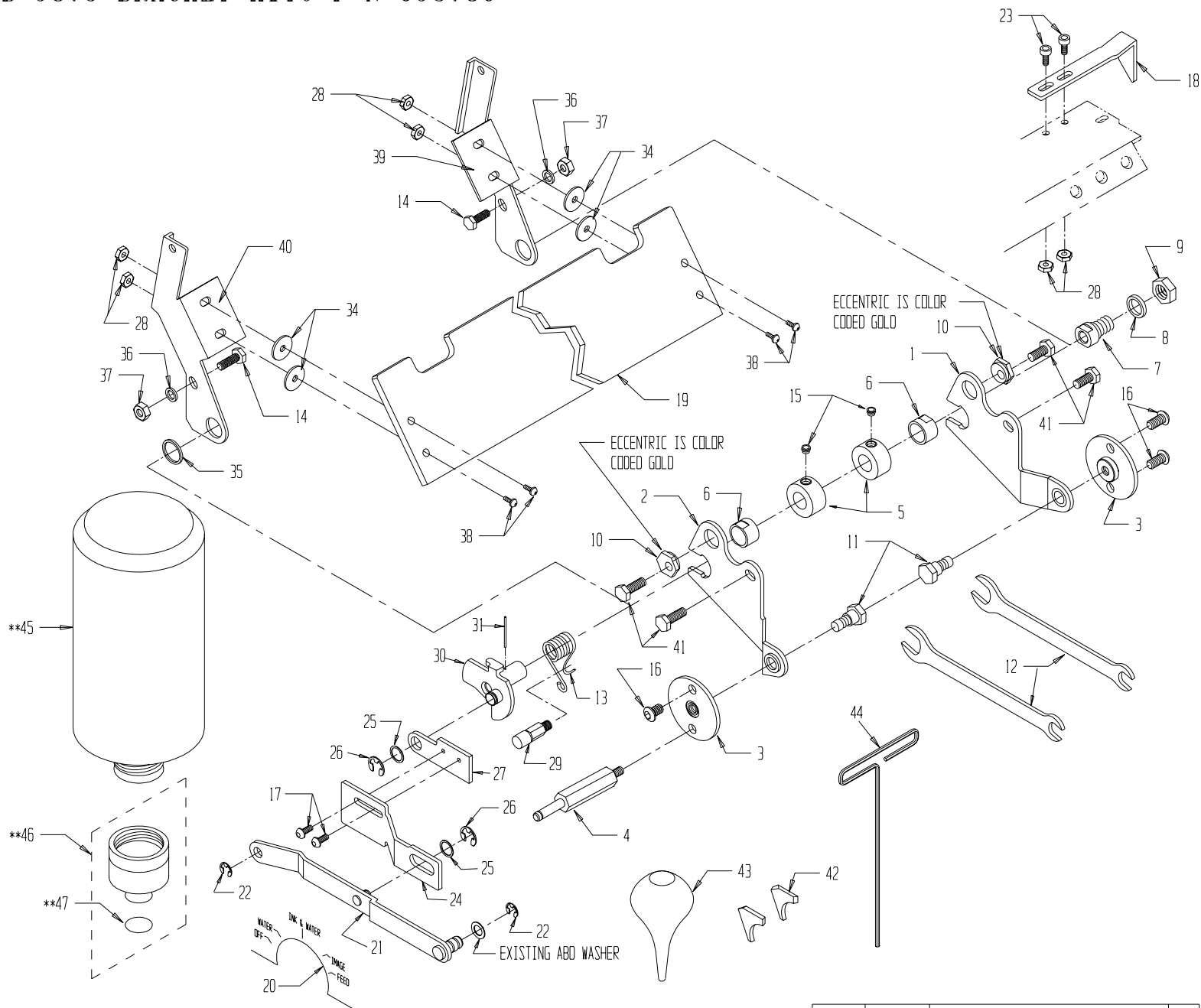
45	092259	SPRING COVER	*
44	092236	BACKING PLATE TAB SPRING	*
43	092234	BACKING PLATE TAB	*
42	091949	SPRING PIN	*
41	091997	OSC. RETAINING CLIP	*
40	091965	OSC. RETAINING WASHER	*
39	091117	OSC. DRIVE SHAFT FOLLOWER	*
38	091261	SHAFT ASSY S.S.	*
36	096560	KOLORMATE MODEL 60	****
35	091360	13" OSC COVER ASSY	***
34	092470	13" FORM ROLLER W/B	1
33	092460	13" METERING ROLLER W/B	1
32	092303	SHOULDER SCREW	*
31	091306	ASSY, 13" OSC., LONG STROKE	1
ITEM#	PART #	DESCRIPTION	QTY

30	091982	#10-32 NUT	2
29	092496	13" TIE BAR	2
28	092601	INWARD NIP SYMBOL	2*
27	092494	WARNING STICKER	1
26	091810	#10-24 X 1/8 SLOT SET SCW	2
25	091806	#6-32 X 3/8 PHILLIPS HD SCW	*
24	092691	COVER NUT	2
23	092304	GUIDE PIN	*
22	092604	NOZZLE	*
21	092491	WAVE WASHER	2
20	091851	#10-32 x 1 SET SCREW	2
19	092940	GEAR CLUTCH ASSY, AB 8580	1
18	092415	THRUST WASHER	*
17	092620	13" COVER ASSEMBLY	***
16	092401	BEARING	*
ITEM#	PART #	DESCRIPTION	QTY

15	091814	#10-24 X 3/4 STUD	*
14	091811	#10-24 X 1/4 SET SCREW	4*
13	091802	#3-48 X 1/4 FLAT HD SCREW	*
12	092238	COMPRESSION SPRING	*
11	092290	BACKING PLATE KIT (L & R)	1
10	092370	SEAL SET (L & R)	1
9	092291	ECCENTRIC	2
8	092222	METERING GAUGE	2
7	091816	#10-24 x 3/8 BUTTON HD SCREW	4
6	**	#10-24 SOCKET HEAD SCREW	4
5	091017	R.H. OSC. END BLOCK	1
4	091018	L.H. OSC. END BLOCK	1
3	091219	ALIGNMENT BLOCK	2
2	092210	L.H. END FRAME ASSY	1
1	092200	R.H. END FRAME ASSY	1
ITEM#	PART #	DESCRIPTION	QTY

# AB 9875 BRACKET KIT: P/N 093780

PARTS CATALOG #090202 REV.F



\* ITEM IS INCLUDED WITH OUTLINED SUBASSEMBLY  
 \*\* CALIBRATED BOTTLE AND DISPENSING VALVE ASSEMBLY ARE NOT INCLUDED WITH BRACKET KIT (P/N 093780).

ITEM#	PART #	DESCRIPTION	QTY
47	092765	O-RING	*
46	092760	DISPENSING VALVE ASSY	**
45	092771	CALIBRATED BOTTLE	**
44	090755	3/32 WRENCH	1
43	092778	KOMPAC SYRINGE	1
42	092370	KOMPAC SEAL SET	1
41	091867	1/4-20 x 1/2 HEX HEAD SCREW	4
40	093581	L.H. SAFETY COVER BRACKET	1
39	093582	R.H. SAFETY COVER BRACKET	1
38	091819	10-24 x 1/2 BUTTON CAP SCW	4
37	091972	1/4-20 LOCK NUT	2
36	091957	1/4 SPACER WASHER	2
35	091959	5/8 SPACER WASHER	1
34	091960	RUBBER WASHER	4

ITEM#	PART #	DESCRIPTION	QTY
31	091943	3/32 x 1 ROLL PIN	1
30	093787	POSITIVE STOP ASSY	1
29	093809	STOP BOLT	1
28	091968	10-24 LOCK NUT	6
27	093799	ABD SHORT LINK	1
26	091995	3/8 E-RING	2
25	091956	SPACER WASHER	2
24	093801	ABD LONG LINK	1
23	091818	10-24 x 3/8 SOCKET CAP SCW	2
22	091994	5/16 E-RING	2
21	093794	ABD FORM LINK ASSY	1
20	093564	OPERATION DECAL	1
19	093593	GUARD PLATE	1
18	093584	MICRO SWITCH ACTIVATOR	1

ITEM#	PART #	DESCRIPTION	QTY
17	091816	10-24 x 3/8 BUTTON CAP SCW	2
16	091895	1/4-28 x 3/8 BUTTON CAP SCW	3
15	091870	1/4-20 x 3/16 BRASS TIP S.S.	2
14	091868	1/4-20 x 3/4 HEX HD SCREW	2
13	093811	TORSION SPRING	1
12	093555	KOMPAC WRENCH	2
11	93814	SHOULDER BOLT	2
10	093543	BRACKET ECCENTRIC	2
9	091980	7/16-20 NUT	1
8	093612	BEARING BOLT SLEEVE	1
7	093812	BEARING BOLT	1
6	093818	ECCENTRIC SHAFT BUSHING	2
5	091910	9/16 LOCK COLLAR	2
4	093613	DETENT STUD	1
3	093805	BOLT RETAINER ASSY	2
2	090910	L.H. MOUNTING BRACKET ASSY	1
1	090920	R.H. MOUNTING BRACKET ASSY	1