

Kompac®



Date of Installation: _____

Unit Serial Number: _____

AB9800

Parts Catalog #90512 (Rev. P)

AB Dick Press Models:

9805, 9810, 9810XC, 9810XCS, 9815
9820, 9835, 9840, 9850, 9860, 9870
With Metal Safety Covers

Kompac Technologies, LLC
7 Commerce Street
Somerville, NJ 08876
P: (800) 541-5702 (Toll Free U.S. & Canada)
P: (908) 534-8411
F: (908) 534-8412
info@kompactech.com
www.kompactech.com

Last updated March 2010

AB 9800 PARTS CATALOG

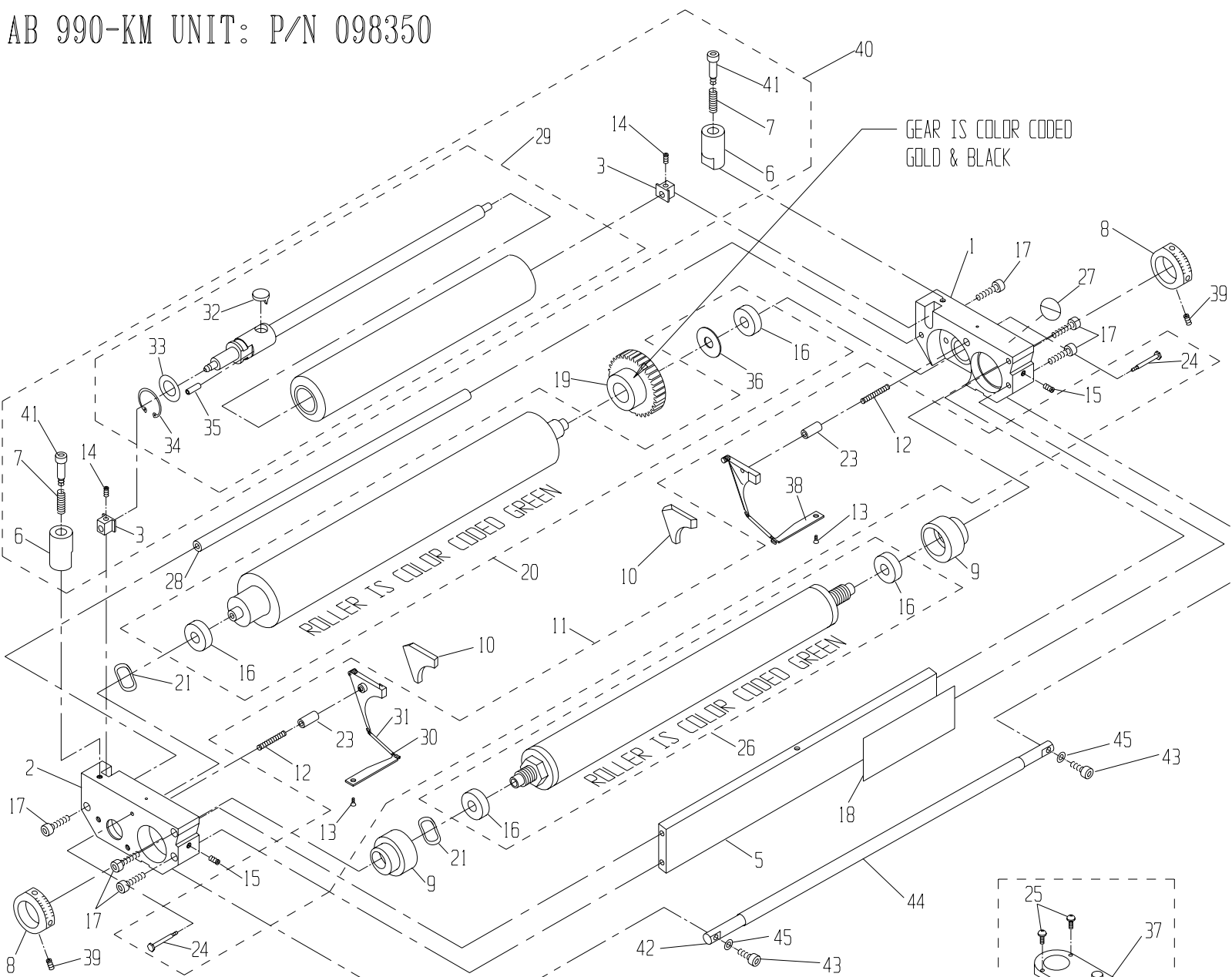
P/N 090512

3-93

REV	DESCRIPTION	ECN	BY	DATE
A	UPDATED TO NEW PARTS CATALOG FORMAT	1050	MJC	11-9-94
B	ADDED P/N 94982 TO BRACKET KIT CATALOG	1143	P.M.	10-3-95
C	REPLACED (4) OF P/N 091818 WITH (4) OF P/N 091816 ON AB 9800 UNIT ASSY.	1182	MJC	4-25-96
D	REPLACED P/N 091306 WITH 081306. REMOVED OSCILLATOR SHAFT AND ROLLER FROM BOM.	1207	MJC	7-9-96
E	ADDED PAGE FOR SAFETY COVER KIT	1208	P.M.	8-19-96
F	ADDED SHAFT ASSY S.S. 091261	1252	B.S.	1-31-97
G	92771 WAS 92773, 91117 WAS 91111, 9900 WAS 990	1275	BS	4-30-97
H	ADDED AB 990 UNIT W/O KOLORMATE P/N 098355	1296	P.M.	5-28-97
I	ADDED ITEM 41, ITEM 7 WAS #093466	1311	P.M.	7-8-97
J	ON UNIT, ADDED ITEMS 42, 43, 44.	1416	P.M.	6-24-98
K	ON BRKT, P/N 091875 WAS 091870, ON SAFETY KIT, P/N 093609 WAS 093601	1451	P.M.	11-6-98
L	ON BRKT KIT, ITEM 16 WAS QTY 4	1550	P.M.	9-3-99
M	ON UNIT PAGE: ADDED ITEM #45 (P/N 091689)	1725	MJC	8-21-01
N	ON UNIT PAGE: MADE ITEM 44 ONE SINGLE BAR	1749	P.M.	1-31-02
O	ON UNIT PAGE: ITEM #29 (P/N 091319) WAS 094998	1782	MJC	11-8-02
P	UNIT PAGE: ITEM 8 WAS 94992, ADDED ITEM 39 (91888)	1855	PM	1-23-06

AB 990 UNIT W/O KOLORMATE: P/N 098355

AB 990-KM UNIT: P/N 098350

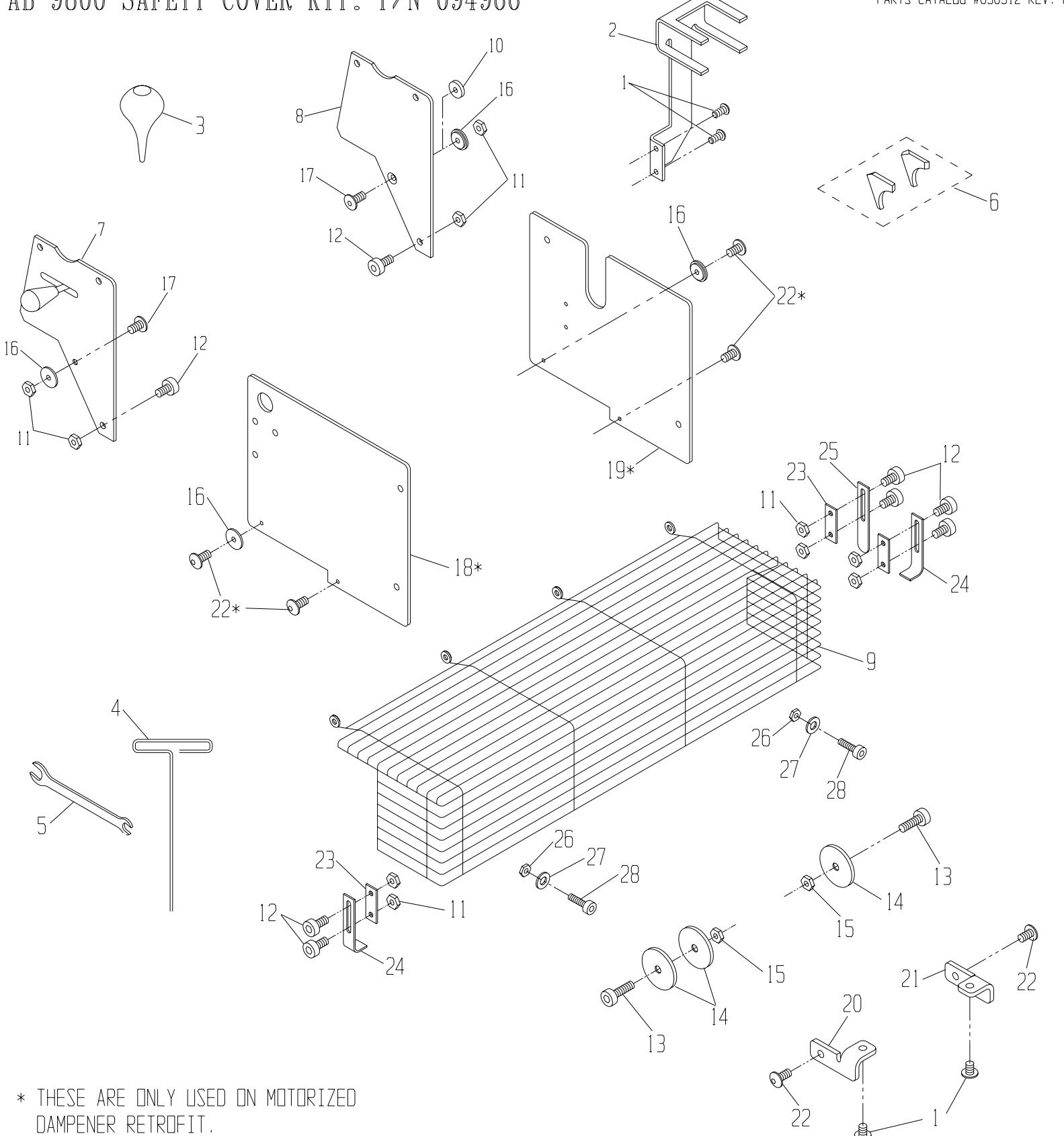


45	091689	BELLEVILLE WASHER, M5	2
44	094365	PLATE GUIDE (13 INCHES)	***
43	091915	SCREW, LOW HD. 10-24 x .50	2
42	094984	GUIDE BAR	1
41	091649	SHOULDER SCREW, 1/4 x 1-1/4	2
40	096566	KOLORMATE KIT	**
39	091888	M5 SET SCREW	2
38	092234	TAB	*
37	094997	BRACKET, NOZZLE	*
36	092415	THRUST WASHER	*
35	091949	SPRING PIN	*
34	091997	OSC. RETAINING CLIP	*
33	091965	OSC. RETAINING WASHER	*
32	091117	OSC. DRIVE SHAFT FOLLOWER	*
31	092259	TAB SPRING COVER	*
30	092236	TAB SPRING	*
29	091319	OSCILLATOR, 13-1/4", HARD	1
ITEM#	PART #	DESCRIPTION	QTY

* PART IS INCLUDED IN OUTLINED SUBASSEMBLY.
 ** ITEM #40 IS INCLUDED WITH AB 990-KM UNIT AND IS AVAILABLE TO ADD ON AB 990 UNITS (P/N 098355)
 *** ITEM #44 IS CUT TO 13" LENGTH

28	094996	TIE BAR	1
27	092601	SAFETY STICKER	1
26	092460	13" METERING ROLLER W/B	1
25	091907	#6-32 X 3/8 PHILLIPS HD SCW	*
24	092303	SHOULDER SCREW, SEAL PLATE	*
23	092304	GUIDE PIN	*
22	092604	COVER NOZZLE	*
21	092491	WAVE WASHER	2
20	092470	13" FORM ROLLER W/B	1
19	092940	GEAR CLUTCH ASSY, AB 8580	1
18	090984	I.D. STICKER (AB 990)	1
17	091853	#10-32 x 1.12 SDC. HD. SCREW	6
16	092401	BEARING (6000)	*
15	091813	#10-24 X 1/2 SET SCREW	2
ITEM#	PART #	DESCRIPTION	QTY

14	091811	#10-24 X 1/4 SET SCREW	2
13	091802	#3-48 X 1/4 FLAT HD SCREW	*
12	092238	COMPRESSION SPRING	*
11	092290	BACKING PLATE KIT (L & R)	1
10	092370	SEAL SET (L & R)	1
9	092291	ECCENTRIC	2
8	092612	METERING GAUGE	2
7	092007	SPRING, COMPRESSION	2
6	094991	OSCILLATOR POST	2
5	094995	TIE PLATE	1
4	098750	BRACKET NOZZLE ASSEMBLY	1
3	091219	ROLLER ALIGNMENT BLOCK	2
2	094994	END FRAME, L.H.	1
1	094993	END FRAME, R.H.	1
ITEM#	PART #	DESCRIPTION	QTY



* THESE ARE ONLY USED ON MOTORIZED DAMPENERS RETROFIT.

28	091799	#6-32 x 1/2 SOC HD CAP SCREW	2
27	091978	WASHER, FLAT	2
26	091964	#6-32 LOCK NUT	2
25	094134	SWITCH BAR	1
24	094133	ADJUSTING FOOT	2
23	094132	BACKING PLATE, (WIRE GUARD)	3
22	091816	10-24 x 3/8 BUTTON HD CAP SCW	6
21	094977	L.H. GUARD SUPPORT	1
20	094972	R.H. GUARD SUPPORT	1
19	094988	L.H. BRACKET, SUPPORT	1
ITEM	PART NO.	DESCRIPTION	QTY.

18	094978	R.H. BRACKET, SUPPORT	1
17	091855	#10-32 x 5/8 FLAT HEAD SCREW	2
16	094136	SPACER	2
15	091932	1/4-20 NUT	2
14	091951	WASHER, FLAT	3
13	091859	1/4-20 x 3/4 BUT HD CAP SCREW	2
12	091842	#10-32 x 5/8 SOCKET HD CAP SCW	8
11	091969	#10-32 LOCK NUT	10
10	091952	SPACER	1
ITEM	PART NO.	DESCRIPTION	QTY.

9	094975	WIRE GUARD ASSY, AB 9800	1
8	093602	L.H. GUARD SUPPORT BKT	1
7	093609	ASSY, LOCKOUT	1
6	092370	KOMPAC SEAL SET	1
5	093555	KOMPAC WRENCH	2
4	090755	3/32 T-WRENCH	1
3	092778	KOMPAC SYRINGE	1
2	094999	BRACKET, BOTTLE (AB 990)	1
1	091817	#10-24 x 1/4 BUTTON HD CAP SCW	4
ITEM	PART NO.	DESCRIPTION	QTY.