

Date of Installation : _____

Unit Serial Number : _____

Kompac Dealer : _____

Kompac®



A DIVISION OF DAY INTERNATIONAL, INC.



DAY INTERNATIONAL, INC.

Image Transfer Group

Kompac



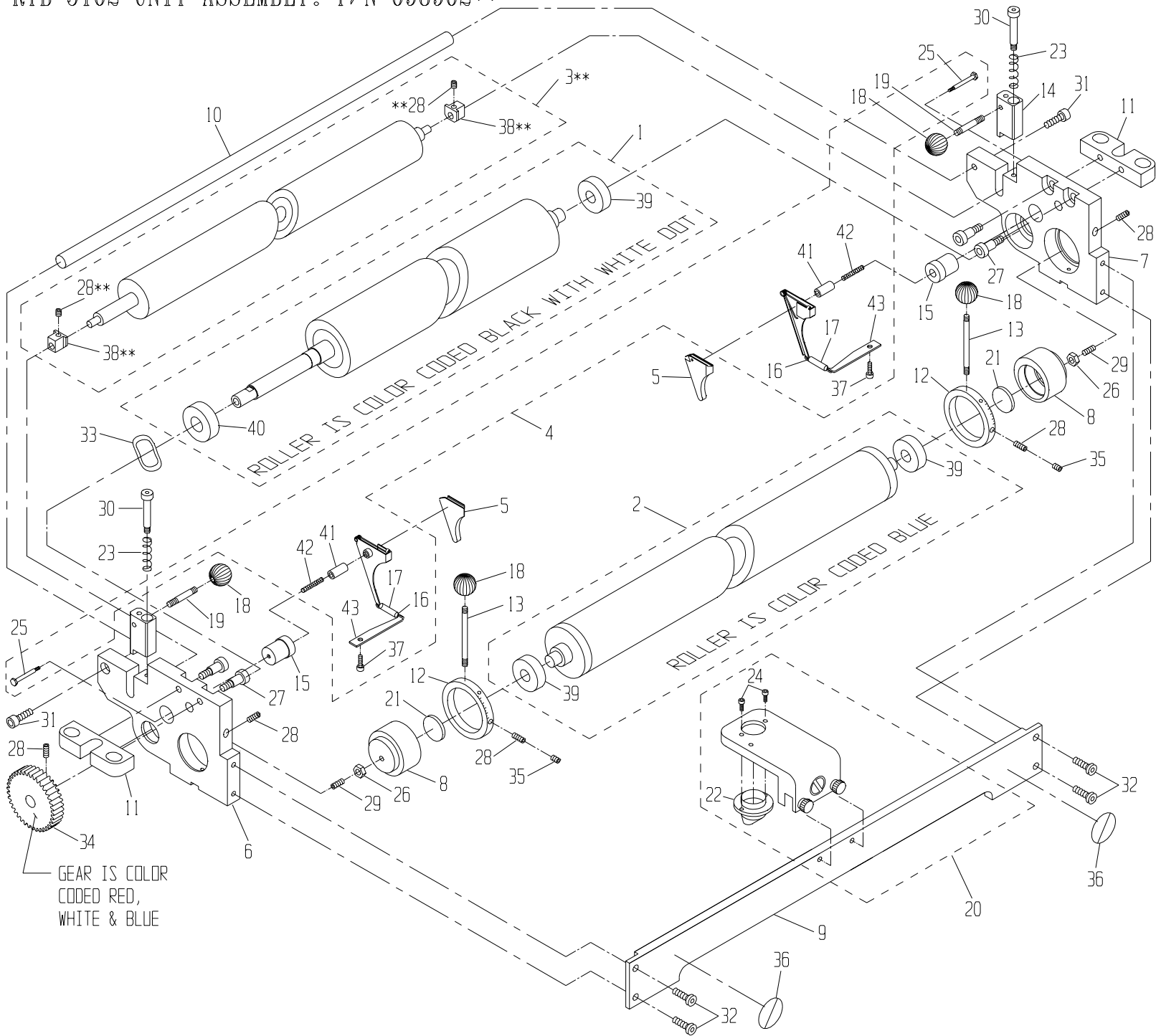
RYB 5102

Parts Catalog # 098932

159 DWIGHT PLACE , FAIRFIELD , NEW JERSEY 07004

TEL: 973-227-8611 / 800-541-5702

FAX: 973-227-7532



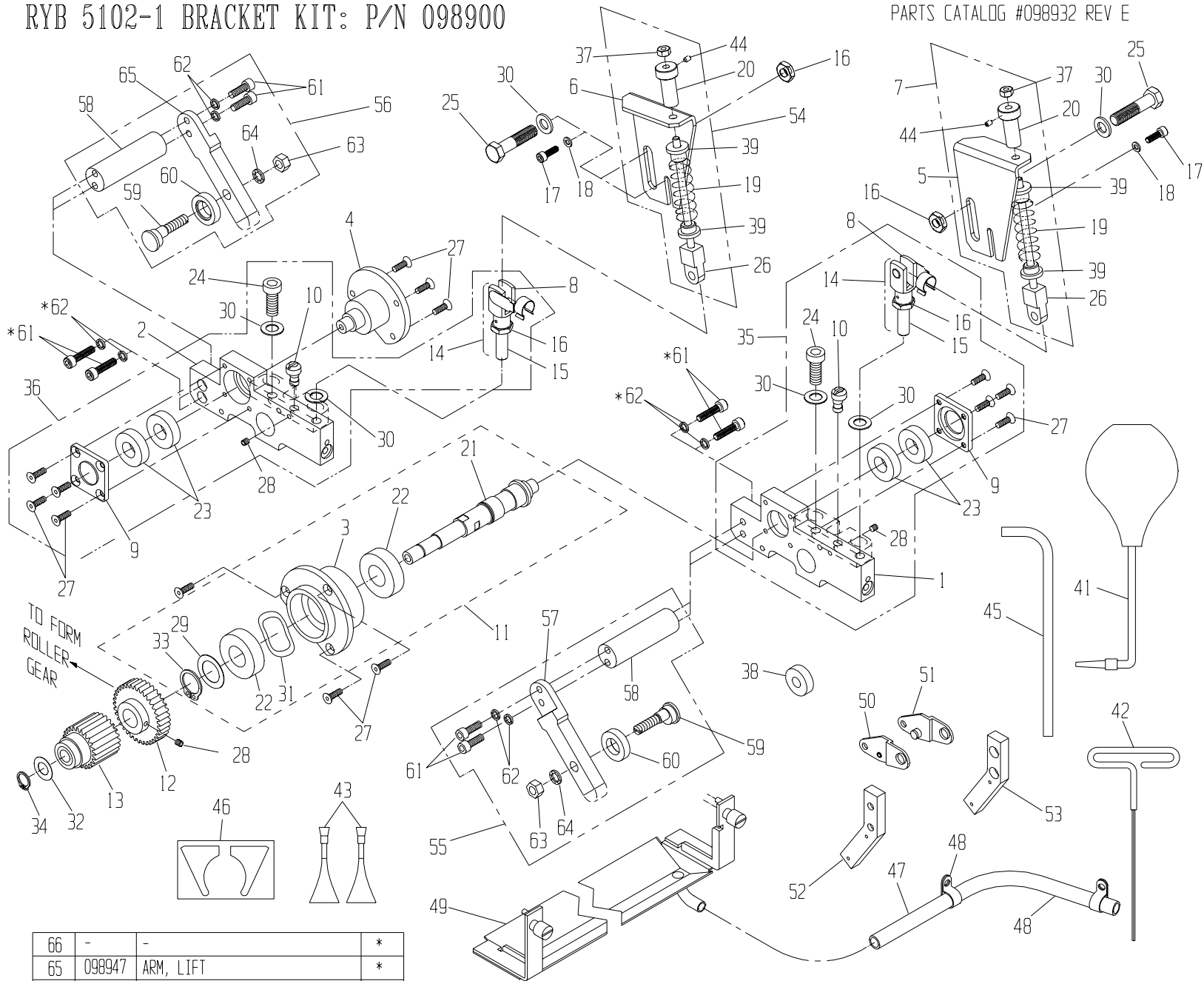
* PART IS INCLUDED IN OUTLINED SUBASSEMBLY.

** PART NOT INCLUDED WITH P/N 098902.

				32.	091773	M6 X 12mm CAP SCREW	4	16.	092236	SPRING	*
				31.	091711	M6 x 16mm SHOULDER SCREW	2	15.	091407	BACKING PLATE STANDOFF	2
				30.	091708	M6 SHOULDER SCREW	2	14.	095697	CLAMP, OSCILLATOR	2
				29.	091703	M5 X 12mm SET SCREW	2	13.	098941	THREADED STUD, LONG	2
				28.	091888	M5 X 5mm SET SCREW	5*	12.	091416	METERING GAUGE	2
43.	091406	SPRING PLATE (K III)	*	27.	091712	M8 x 12mm SHOULDER SCREW	4	11.	091419	BLOCK, ATTACHMENT, GTO	2
42.	092242	COMPRESSION SPRING	*	26.	091752	M5 NUT	2	10.	091418	TIE ROD, GT-52	1
41.	092304	GUIDE PIN	*	25.	092303	SEAL PLATE SHOULDER SCREW	2	9.	091415	TIE PLATE, GT-52	1
40.	092083	BEARING, 15x35x11mm (6202)	*	24.	091907	SCREW, #6-32 X 3/8 PHIL PAN HD	*	8.	091412	ECCENTRIC, METERING ROLLER	2
39.	092586	BEARING, BALL, LIGHT SERIES	*	23.	095698	SPRING, COMPRESSION	2	7.	098938	END FRAME, R.H., RYB 5102	1
38.	092174	METRIC ALIGNMENT BLOCK	**	22.	092604	NOZZLE	*	6.	098937	END FRAME, L.H., RYB 5102	1
37.	091760	M4 X 10mm CAP SCREW	*	21.	091413	THRUST PLATE	2	5.	090850	R.H. AND L.H. SEAL SET (K III)	1
36.	092601	SAFETY STICKER	2	20.	098913	ASSY, NOZZLE BRACKET, RYB 5102	1	4.	091450	SEAL BACKING PLATE KIT (K III)	1
35.	091909	M5 x 4mm SLOTTED SET SCREW	2	19.	091417	THREADED STUD, SHORT	2	3.	091470	OSCILLATOR ASSY	**
34.	091405	FORM ROLLER GEAR	1	18.	092055	BALL KNOB	4	2.	098870	METERING ROLLER ASSY, 52/C	1
33.	091783	WASHER, WAVE, 35mm	1	17.	092259	TUBING	*	1.	098912	ASSY, ROLLER, FORM, RYB 5102	1
ITEM	PART #	DESCRIPTION	QTY.	ITEM	PART #	DESCRIPTION	QTY.	ITEM	PART #	DESCRIPTION	QTY.

RYB 5102-1 BRACKET KIT: P/N 098900

PARTS CATALOG #098932 REV E



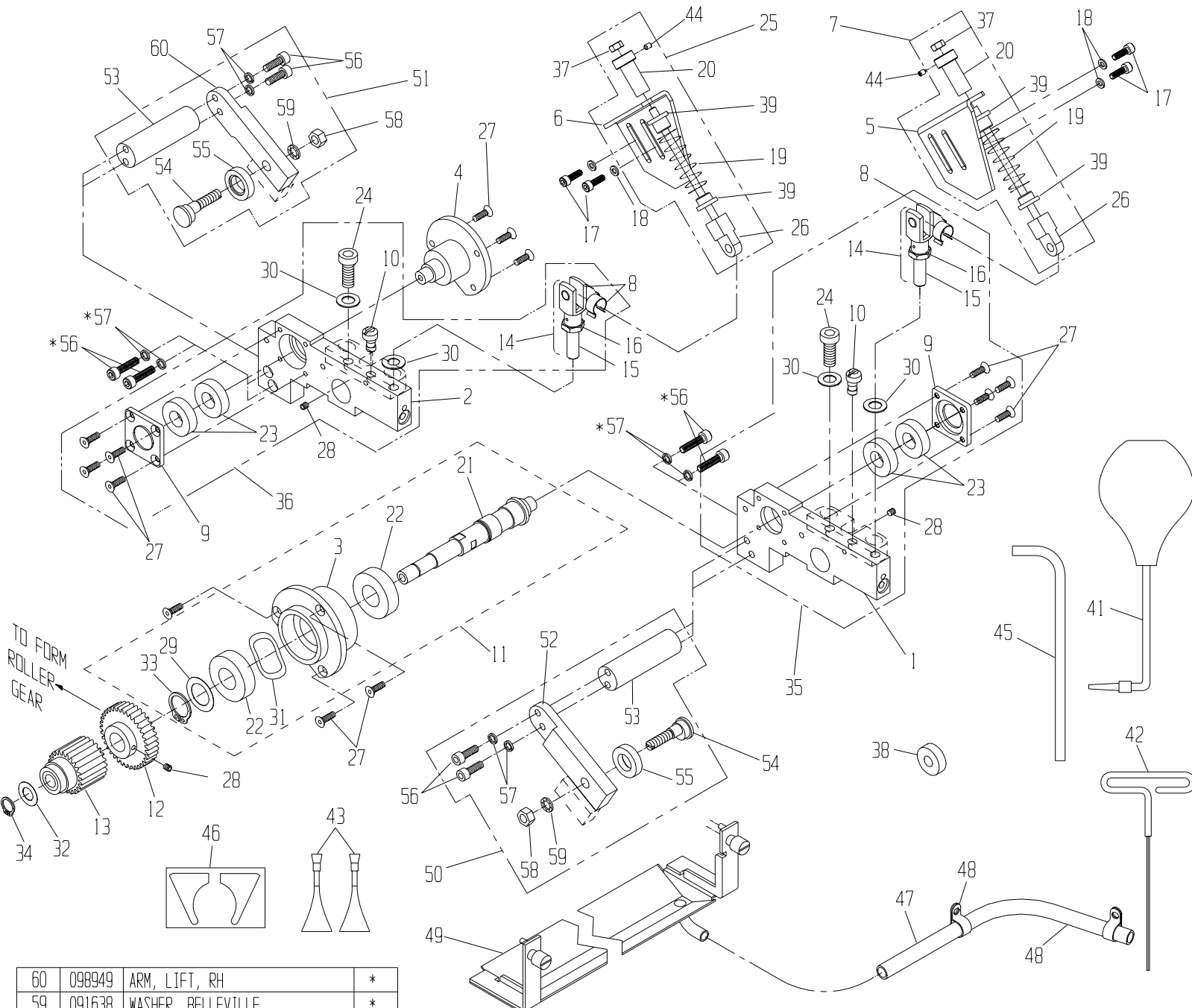
* PART IS INCLUDED IN OUTLINED SUBASSEMBLY.

66	-	-	*
65	098947	ARM, LIFT	*
64	091638	WASHER, BELLEVILLE	*
63	091754	NUT, M8	*
62	091637	WASHER, BELLEVILLE	*
61	091786	SCREW, M6 x 25, SHCS	*
60	098958	WHEEL, LIFT	*
59	098957	ECCENTRIC, LIFT	*
58	098956	STANDOFF, LIFT	*
57	098946	ARM, LIFT, LH	*
56	098917	LIFT ARM ASSY, RH	1
55	098916	LIFT ARM ASSY, LH	1
54	098890	SPRING ROD/BKT ASSY, RH	1
53	098990	R.H. SAFETY SWITCH BRACKET	1
52	098991	L.H. SAFETY SWITCH BRACKET	1
51	098988	R.H. PINCH ROD PLATE ASS'Y	1
50	098989	L.H. PINCH ROD PLATE ASS'Y	1
49	098940	DRIP TRAY, RYB 5102	1
48	095182	1/2" CABLE CLAMP	2
47	091528	CLEAR PLASTIC HOSE, 3/8" I.D.	1
46	090850	SEAL SET	1
45	090758	BALL END ALLEN KEY 8MM	1
44	091546	M4x6mm NYLON SET SCREW	2
43	092061	LOCTITE, 5ml	2

42	090756	2.5mm T-WRENCH	1
41	092779	ASSY, SYRINGE, LONG NECK	1
40	093738	CAP,HOLE, 1.5 (NOT SHOWN)	2
39	098984	SPRING BUSHING	4
38	092401	BALL BEARING (6000)	1
37	091973	M6 LOCK NUT	2
36	098926	BKT, ASSY, RH	1
35	098925	BKT ASSY, LH	1
34	091662	12mm RETAINING RING (EXTERNAL)	1
33	091628	17mm RETAINING RING (EXTERNAL)	1
32	091966	SPACER, WASHER	1
31	091639	SPRING, WAVE, 1.62 O.D.	1
30	091976	M10 FLAT WASHER	6
29	091626	SHIM	1
28	091888	M5 x 5mm SET SCREW	4
27	091697	SCREW, M5x16mm, FLAT SOCKET HD	6
26	098893	ROD,SPRING ASSY.	2
25	091764	HEX HEAD SCREW, M10	2
24	091763	M10 x 25mm CAP SCREW	2
23	098041	BEARING, BALL, (6002)	4
22	092085	BEARING, 20x42x12 (6004)	2

21	098952	SHAFT, DRIVE	*
20	098852	NUT, ADJUSTING	2
19	098977	COMPRESSION SPRING	2
18	091962	WASHER, FLAT	2
17	091891	SDC. HD CAP SCREW, M5 x 16 LG.	2
16	091750	NUT, M10	6
15	098894	STUD, M10	*
14	098891	CLEVIS, SCREW ASSY	2
13	098993	GEAR-CLUTCH, LOCKOUT, RYB 5102	1
12	098953	GEAR, DRIVE, RYB 5102	1
11	098929	ASS'Y,SHAFT, DRIVE, RYB 5102	1
10	091511	KIII ADJUSTMENT ECCENTRIC	2
9	098955	CAP, BEARING, RYB 5102	2
8	098895	CLEVIS, REWORK	2
7	098934	SPRING ROD/BKT ASSY	1
6	098896	BKT, ADJ, RH	1
5	098897	BKT, ADJ, LH	1
4	098951	HOUSING, PIVOT, R.H., RYB 5102	1
3	098950	HOUSING, SHAFT, L.H., RYB 5102	1
2	098943	BRKT, MOUNTING, RH, RYB 5102-1	1
1	098942	BRKT, MOUNTING, LH, RYB 5102-1	1

ITEM	PART #	DESCRIPTION	QTY.	ITEM	PART #	DESCRIPTION	QTY.	ITEM	PART #	DESCRIPTION	QTY.
------	--------	-------------	------	------	--------	-------------	------	------	--------	-------------	------

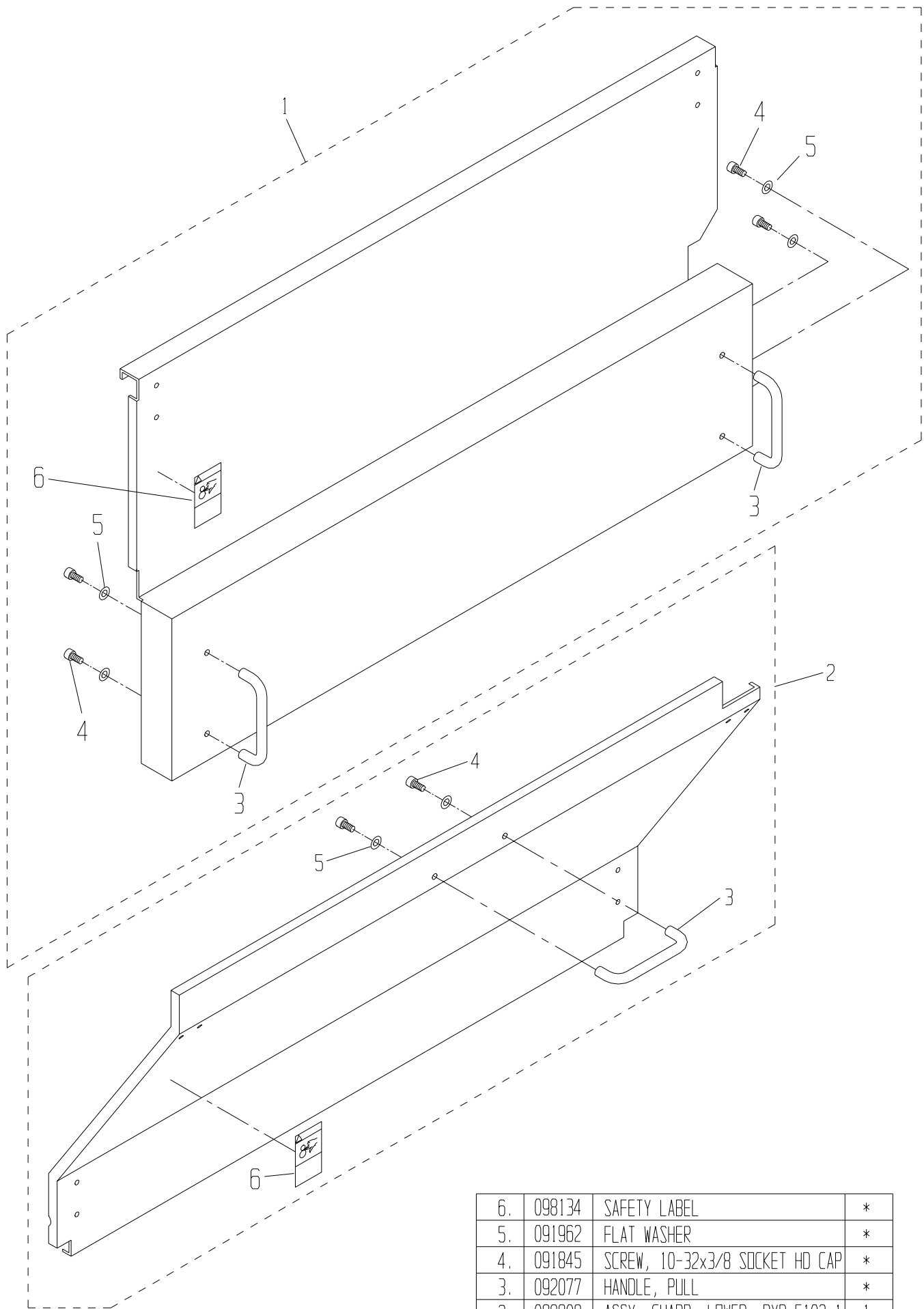


* PART IS INCLUDED IN OUTLINED SUBASSEMBLY.

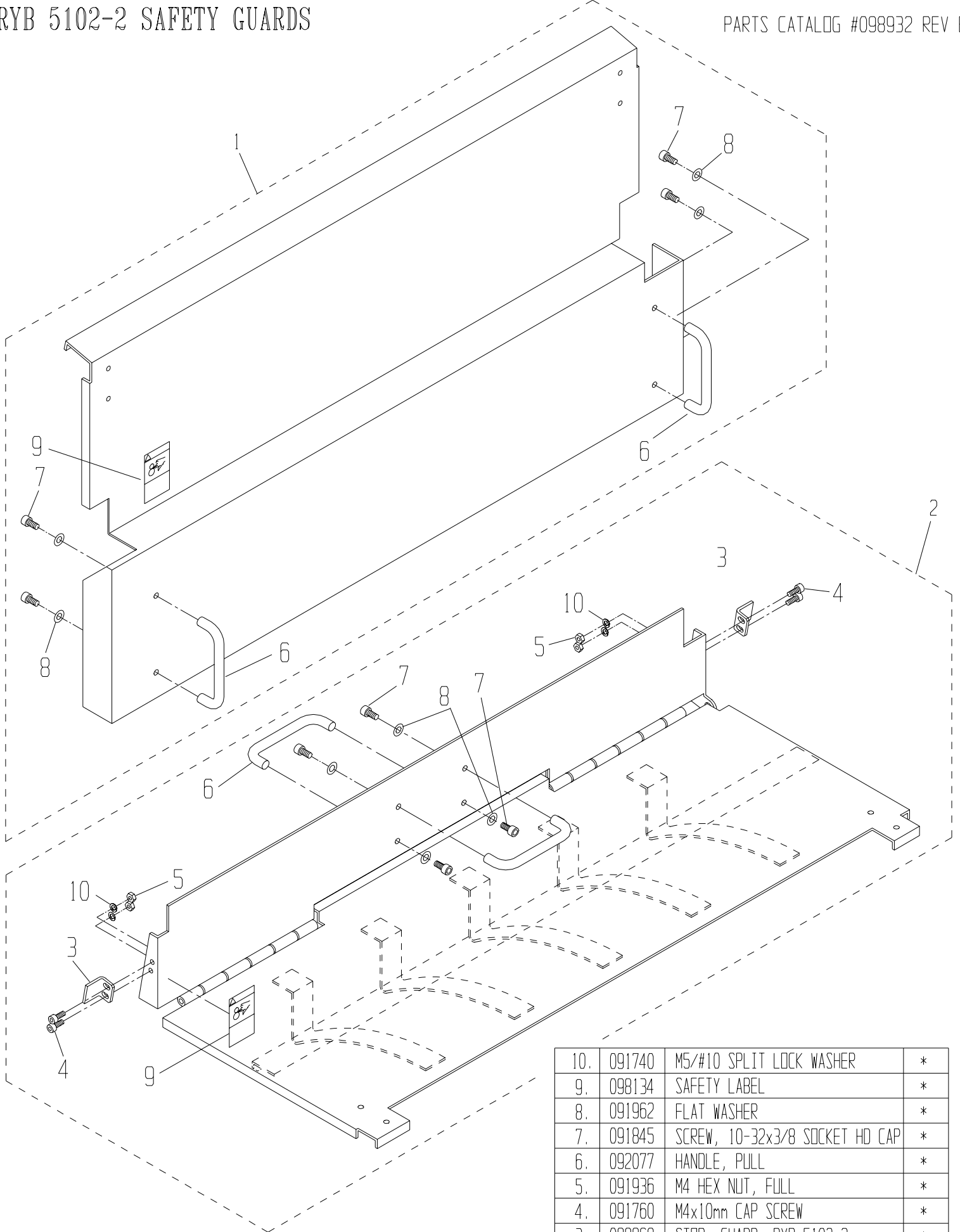
60	098949	ARM, LIFT, RH	*
59	091638	WASHER, BELLEVILLE	*
58	091754	NUT, M8	*
57	091637	WASHER, BELLEVILLE	*
56	091786	SCREW, M6 x 25, SHCS	*
55	098958	WHEEL, LIFT	*
54	098957	ECCENTRIC, LIFT	*
53	098956	STANDOFF, LIFT	*
52	098948	ARM, LIFT, LH	*
51	098919	LIFT ARM ASSY, RH	1
50	098918	LIFT ARM ASSY, LH	1
49	098940	DRIP TRAY, RYB 5102	1
48	095182	1/2" CABLE CLAMP	2
47	091528	CLEAR PLASTIC HOSE, 3/8" I.D.	1
46	090850	SEAL SET	1
45	090758	BALL END ALLEN KEY 8MM	1
44	091546	M4x6mm NYLON SET SCREW	2
43	092061	LOCTITE, 5ml	2
42	090756	2.5mm T-WRENCH	1
41	092779	ASSY, SYRINGE, LONG NECK	1
40	093738	CAP, HOLE, 1.50 (NOT SHOWN)	2
39	098984	SPRING BUSHING	4
ITEM	PART #	DESCRIPTION	QTY.

38	092401	BALL BEARING (6000)	1
37	091973	M6 LOCK NUT	2
36	098928	BKT, ASSY, RH	1
35	098927	BKT, ASSY, LH	1
34	091662	12mm RETAINING RING (EXTERNAL)	1
33	091628	17mm RETAINING RING (EXTERNAL)	1
32	091966	SPACER, WASHER	1
31	091639	SPRING, WAVE, 1.62 O.D.	1
30	091976	M10 FLAT WASHER	4
29	091626	SHIM	1
28	091888	M5 x 5mm SET SCREW	4
27	091697	SCREW, M5x16mm, FLAT SOCKET HD	6
26	098893	ROD, SPRING ASSY.	2
25	098888	STRIPE ROD/BKT ASSY, RH	1
24	091763	M10 x 25mm CAP SCREW	4
23	098041	BEARING, BALL, (6002)	4
22	092085	BEARING, 20x42x12 (6004)	2
21	098952	SHAFT, DRIVE	*
20	098852	NUT, ADJUSTING	2
ITEM	PART #	DESCRIPTION	QTY.

19	098977	COMPRESSION SPRING	2
18	091962	WASHER, FLAT	4
17	091891	SHCS, M5 x 16 LG	4
16	091750	NUT, M10	4
15	098894	STUD, M10	*
14	098891	CLEVIS, SCREW ASSY	2
13	098993	GEAR-CLUTCH, LOCKOUT, RYB 5102	1
12	098953	GEAR, DRIVE, RYB 5102	1
11	098929	ASS'Y, SHAFT, DRIVE, RYB 5102	1
10	091511	KIII ADJUSTMENT ECCENTRIC	2
9	098955	CAP, BEARING, RYB 5102	2
8	098895	CLEVIS, REWORK	2
7	098889	STRIPE ROD/BKT ASSY, LH	1
6	098898	BKT, ADJ, RH	1
5	098899	BKT, ADJ, LH	1
4	098951	HOUSING, PIVOT, R.H., RYB 5102	1
3	098950	HOUSING, SHAFT, L.H., RYB 5102	1
2	098945	BRKT, MOUNTING, RH, RYB 5102-2	1
1	098944	BRKT, MOUNTING, LH, RYB 5102-2	1
ITEM	PART #	DESCRIPTION	QTY.



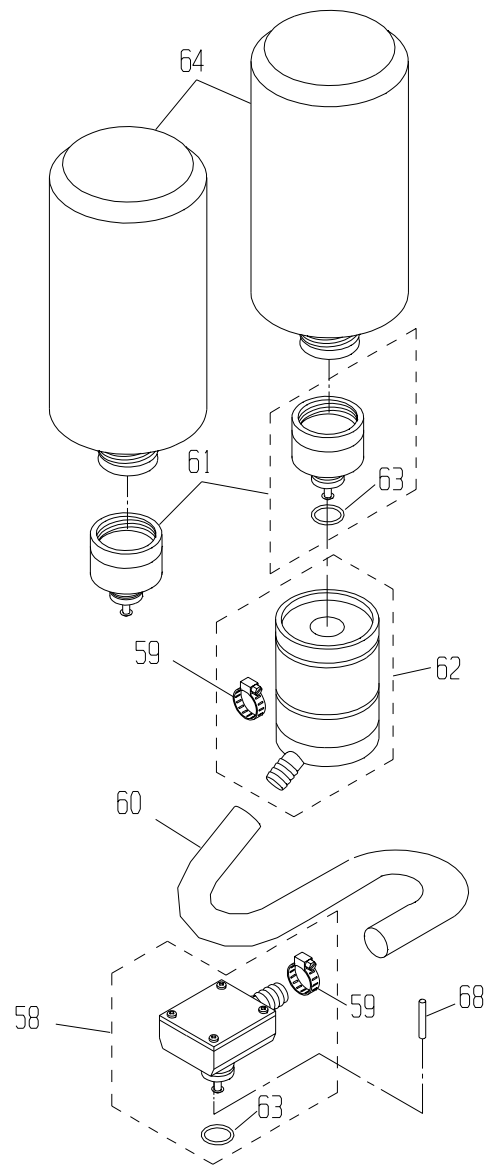
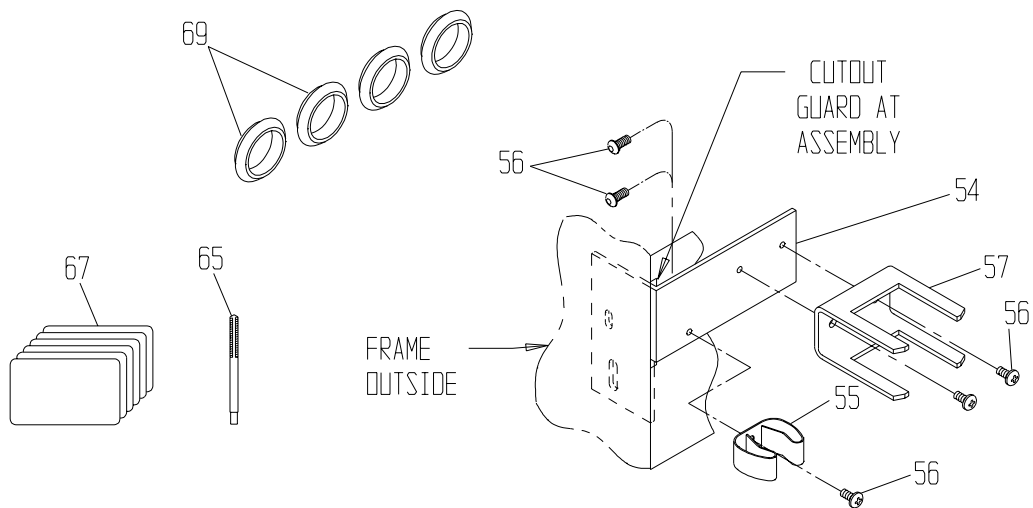
6.	098134	SAFETY LABEL	*
5.	091962	FLAT WASHER	*
4.	091845	SCREW, 10-32x3/8 SOCKET HD CAP	*
3.	092077	HANDLE, PULL	*
2.	098909	ASSY, GUARD, LOWER, RYB 5102-1	1
1.	098908	ASSY, GUARD, UPPER, RYB 5102-1	1
ITEM	PART #	DESCRIPTION	QTY.



10.	091740	M5/#10 SPLIT LOCK WASHER	*
9.	098134	SAFETY LABEL	*
8.	091962	FLAT WASHER	*
7.	091845	SCREW, 10-32x3/8 SOCKET HD CAP	*
6.	092077	HANDLE, PULL	*
5.	091936	M4 HEX NUT, FULL	*
4.	091760	M4x10mm CAP SCREW	*
3.	098968	STOP, GUARD, RYB 5102-2	*
2.	098911	ASSY, GUARD, LOWER, RYB 5102-2	1
1.	098910	ASSY, GUARD, UPPER, RYB 5102-2	1
ITEM	PART #	DESCRIPTION	QTY.

RYB 5102 REMOTE BOTTLE PARTS:

PARTS CATALOG #098932 REV E



* PART IS INCLUDED IN OUTLINED SUBASSEMBLY.

69.	098992	PLASTIC GROMMET	4
68.	091943	3/32 x 1" ROLL PIN	1
67.	094408	RECTANGLE STICKER	6
66.	-	-	-
65.	098978	TAP, M5 x 0.8, HAND	1
64.	092772	BOTTLE, CALIBRATED, 1/2 GAL.	2
63.	092765	O-RING	*
62.	092740	BOTTLE VALVE ASSEMBLY	1
61.	092760	DISPENSING VALVE ASSEMBLY	2
ITEM	PART #	DESCRIPTION	QTY.

60.	092756	1/2" I.D. VINYL TUBING	1
59.	091911	CLAMP, ADJUSTABLE, 1/4"-25/32"	*
58.	092750	ADAPTER BASE ASSEMBLY	1
57.	092749	BRACKET, BOTTLE, UNIVERSAL	1
56.	091765	M5x12mm BUTTON HEAD CAP SCREW	5
55.	091672	SPRING CLIP	1
54.	098969	BRACKET, BOTTLE, RYB 5102	1
ITEM	PART #	DESCRIPTION	QTY.