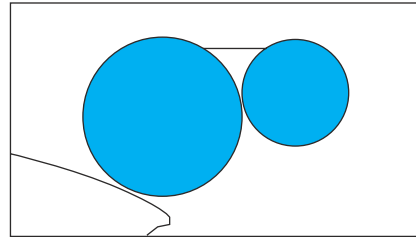


Date of Installation : \_\_\_\_\_

Unit Serial Number : \_\_\_\_\_

Kompac Dealer : \_\_\_\_\_

# Kompac®



A DIVISION OF DAY INTERNATIONAL, INC.



DAY INTERNATIONAL, INC.

Image Transfer Group



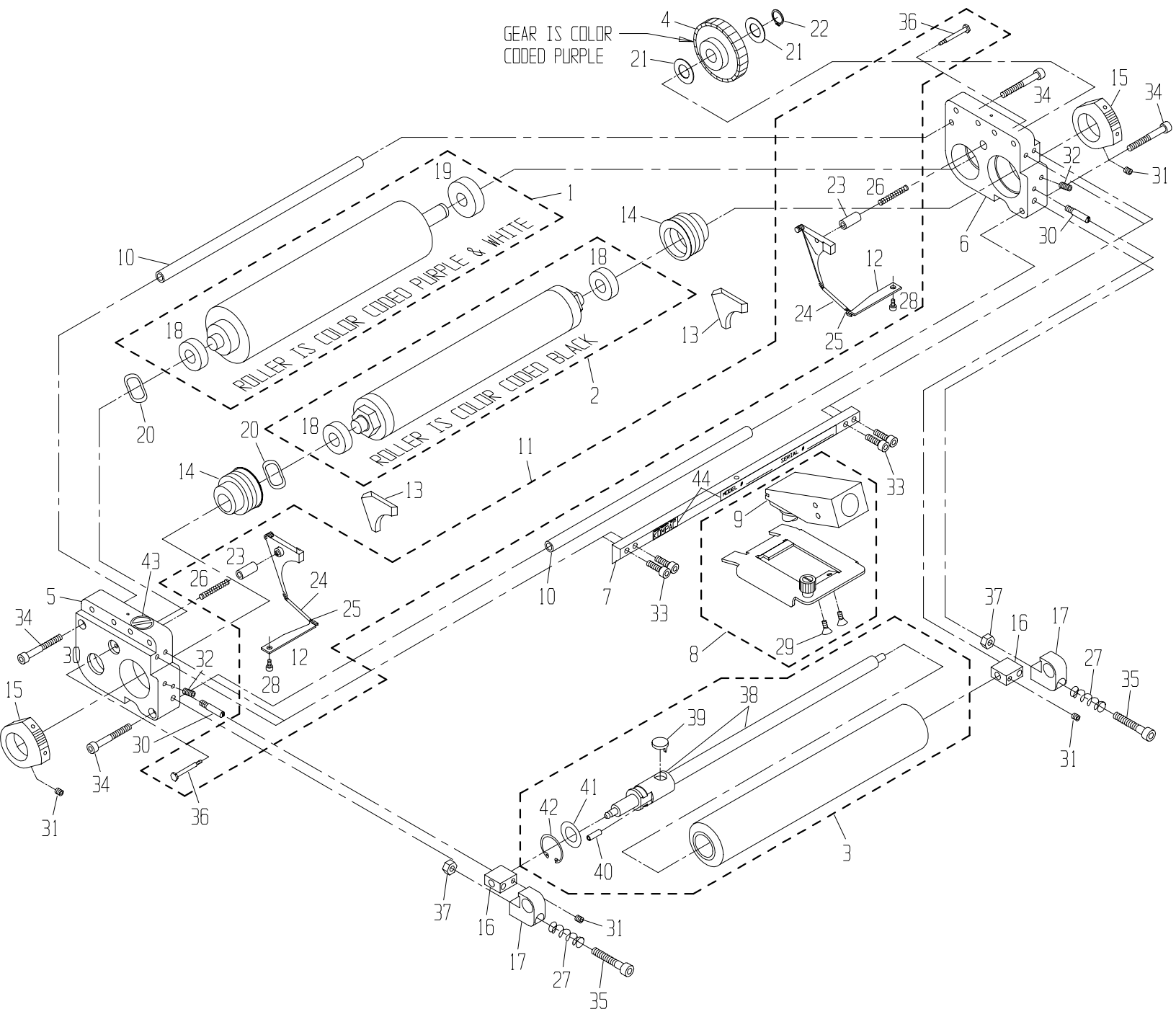
## HMD 34-2-N

Parts Catalog # 093212

159 DWIGHT PLACE , FAIRFIELD , NEW JERSEY 07004

TEL: 973-227-8611 / 800-541-5702

FAX: 973-227-7532



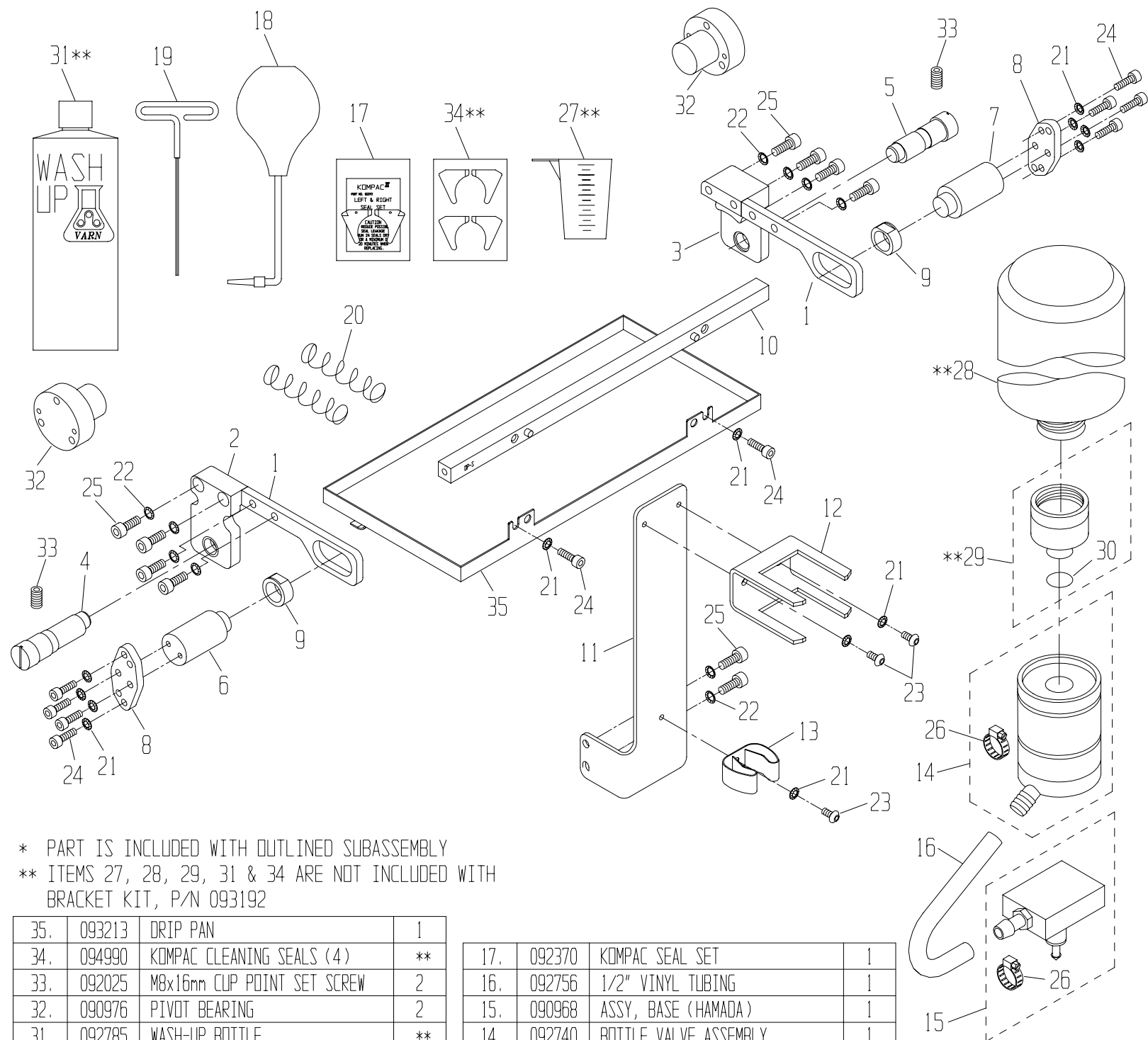
\* PART IS INCLUDED WITH OUTLINED SUBASSEMBLY

ITEM	PART #	DESCRIPTION	QTY.
44.	095854	STICKER, I.D.	1
43.	092601	WARNING STICKER (INWARD NIP)	1
42.	091997	OSC. RETAINING CLIP	*
41.	091965	OSC. RETAINING WASHER	*
40.	091949	SPRING PIN (5/32x1/2")	*
39.	091117	OSC. DRIVE SHAFT FOLLOWER	*
38.	091262	OSC. SHAFT ASSY, S.S.	*
37.	091753	M6x1 HEX NUT	2
36.	092296	BACK. PLATE SHOULDER SCW, SHORT	*
35.	091762	M6x35mm SOCKET HEAD SCREW	2
34.	091898	M5x35mm SOCKET HEAD SCREW	4
33.	091891	M5x16mm SOCKET HEAD SCREW	4
32.	091897	M5x10mm SET SCREW	2
31.	091888	M5x5mm SET SCREW	4

ITEM	PART #	DESCRIPTION	QTY.
30.	093174	OSCILLATOR POST, LONG	2
29.	092003	#6 x 1/2" FLT HD PHILLIPS SCW	*
28.	091901	M3x6mm SOCKET HEAD SCREW	*
27.	092007	SPRING, COMPRESSION	2
26.	092238	COMPRESSION SPRING	*
25.	092236	TAB SPRING (EXTENSION)	*
24.	092259	SPRING COVER	*
23.	092304	GUIDE PIN	*
22.	091662	RETAINING RING (12mm)	1
21.	091966	WASHER, FLAT (.478x.878x.02")	2
20.	092491	WAVE WASHER	2
19.	092586	BEARING (12x32x10mm)	*
18.	092401	BEARING (10x26x8mm)	*
17.	094342	SPRING HOUSING	2
16.	093165	BLOCK, OSCILLATOR	2

ITEM	PART #	DESCRIPTION	QTY.
15.	092612	METERING GAUGE	2
14.	092291	ECCENTRIC	2
13.	092370	KOMPAC SEAL SET	1
12.	090971	TAB, SHORT	*
11.	090970	BACKING PLATE KIT (HAMADA)	1
10.	090989	TIE ROD	2
9.	092700	NOZZLE ASSEMBLY	*
8.	093215	ASSY, BRACKET NOZZLE	1
7.	095848	TIE PLATE (ST)	1
6.	093198	END FRAME, R.H.	1
5.	093197	END FRAME, L.H.	1
4.	090969	GEAR CLUTCH ASSY	1
3.	091311	13-1/4" OSC. ROLLER PARTS ASSY	1
2.	094240	13-1/4" METERING ROLLER W/B	1
1.	090973	FORM ROLLER (HMD 13-1/4") W/B	1

ITEM	PART #	DESCRIPTION	QTY.
------	--------	-------------	------



\* PART IS INCLUDED WITH OUTLINED SUBASSEMBLY  
 \*\* ITEMS 27, 28, 29, 31 & 34 ARE NOT INCLUDED WITH BRACKET KIT, P/N 093192

35.	093213	DRIP PAN	1
34.	094990	KOMPAC CLEANING SEALS (4)	**
33.	092025	M8x16mm CUP POINT SET SCREW	2
32.	090976	PIVOT BEARING	2
31.	092785	WASH-UP BOTTLE	**
30.	092765	DISPENSING VALVE O-RING	*
29.	092760	DISPENSING VALVE ASSEMBLY	**
28.	092771	ROUND CALIBRATED BOTTLE	**
27.	092783	MEASURING CUP	**
26.	091911	CLAMP, ADJUSTABLE 1/4"-25/32"	*
25.	092024	M6x16mm SOCKET HEAD SCREW	10
24.	091891	M5x16mm SOCKET HEAD SCREW	10
23.	091768	M5x10mm BUTTON HEAD SCREW	3
22.	091637	WASHER, BELLEVILLE, .264x.374"	10
21.	091689	WASHER, BELLEVILLE (M5)	13
20.	092008	SPRING, COMPRESSION	2
19.	090756	T-WRENCH, 2.5mm	1
18.	092779	KOMPAC LONG NECK SYRINGE	1
ITEM	PART #	DESCRIPTION	QTY.

17.	092370	KOMPAC SEAL SET	1
16.	092756	1/2" VINYL TUBING	1
15.	090968	ASSY, BASE (HAMADA)	1
14.	092740	BOTTLE VALVE ASSEMBLY	1
13.	091672	SPRING CLIP	1
12.	092749	UNIVERSAL BOTTLE BRACKET	1
11.	093166	BRACKET, BOTTLE	1
10.	093209	TIE BAR, PRESS	1
9.	093155	BUSHING, UNIT SUPPORT	2
8.	093207	BRACKET, SUPPORT SHAFT	2
7.	093206	STUB SHAFT, UNIT SUPPORT, R.H.	1
6.	093205	STUB SHAFT, UNIT SUPPORT, L.H.	1
5.	093204	STUB SHAFT, ON/OFF, R.H.	1
4.	093203	STUB SHAFT, ON/OFF, L.H.	1
3.	093196	ASSY, ON/OFF BRACKET, R.H.	1
2.	093195	ASSY, ON/OFF BRACKET, L.H.	1
1.	093199	BRACKET, UNIT SUPPORT	2
ITEM	PART #	DESCRIPTION	QTY.